

Århus, Denmark

ELLI

Pendant lamp

C1311/L
Designed by JF Sevilla, 2023

DESCRIPTION

MATERIALS
Metal / Acrylic

FINISHES
Metal: Matte Black / Antique Gold
Acrylic - Opal

SPECIFICATIONS
LED strip 30W DALI/PUSH CCT
dimable (adjust power and
temperature)
24V, 50/60Hz
IP20, Class I

ENERGY LABEL
A ++

MATERIALES
Metal / Acrílico

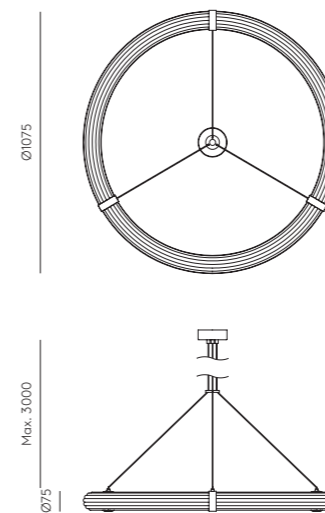
ACABADOS
Metal: Negro mate / Oro
envejecido
Acrílico - Opal

ESPECIFICACIONES
Tira LED 30W DALI/PUSH CCT
regulable (ajusta potencia y
temperatura)
24V, 50/60 Hz
IP20, Clase I

ETIQUETA ENERGÉTICA
A ++

⊕ IP20 CE RoHS V A++

TECHNICAL



Melbourne, Australia



ELLI

Floor lamp

P1311

Designed by JF Sevilla, 2023



DESCRIPTION

MATERIALS

Metal / Acrylic / Marble

FINISHES

Metal: Matte Black
/ Antique Gold
Marble: Black
Acrylic: Opal

SPECIFICATIONS

LED strip 30W DALI/PUSH CCT
dimable (adjust power and
temperature)
24V, 50/60Hz
IP20, Class II

ENERGY LABEL

A ++



TECHNICAL

MATERIALES

Metal / Acrílico / Mármol

ACABADOS

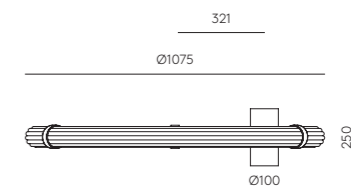
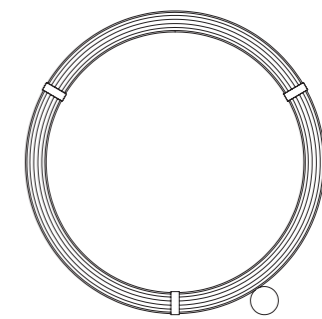
Metal: Negro mate
/ Oro envejecido
Mármol: Negro
Acrílico: Opal

ESPECIFICACIONES

Tira LED 30W DALI/PUSH CCT
regulable (ajusta potencia y
temperatura)
24V, 50/60 Hz
IP20, Clase II

ETIQUETA ENERGÉTICA

A ++



ELLI

Pendant lamp

C1311/S

Designed by JF Sevilla, 2023

DESCRIPTION

MATERIALS

Metal / Acrylic

FINISHES

Metal: Matte Black / Antique Gold

Acrylic - Opal

SPECIFICATIONS

LED chip 5W 2700K TRIAC dim-
mable

24V, 50/60Hz

IP20, Class I

ENERGY LABEL

A ++

MATERIALES

Metal / Acrílico

ACABADOS

Metal: Negro mate / Oro

envejecido

Acrílico - Opal

ESPECIFICACIONES

Chip LED 5W 2700K TRIAC

regulable

24V, 50/60 Hz

IP20, Clase I

ETIQUETA ENERGÉTICA

A ++

⊕ IP20 CE    

TECHNICAL

