
BuzziBell 110-120V

Product Specification Sheet

This document contains technical information about the BuzziBell




Acoustical lighting solution

Stretching the BuzziFelt to its limits, BuzziBell is recognized by the harmonious curve of its bell-shape. Its design adds softness to a room with the textural look of felt and a delicate, diffused light source or high performance LED engine. BuzziBell is offered in the 12 BuzziFelt colors, has a metal feature and will be CE and UL listed. BuzziBell makes a statement in offices, restaurants, hotels, institutions and residences.

Design by Chris Hardy

General

 Ceiling Suspended

Cover in BuzziFelt



2 metal suspension cables

White powder coated metal ceiling canopy

Transparent power cable

Wattage: 29,4W

Input Voltage: 110 - 120V

Input Frequency: 50/60Hz

Lumen output: 2545 lumen



Color Temperature: 3000K

Color Rendering Index: 90

Unified glare rating: 22 (version with prismatic diffusor UGR 19 on request)

Efficacy: 87 Lm/W

Dimmable: 1-10V Protocol



IP20 Dry usage



W Ø 23.62" H 23.62"



Powder coated metal frame in Black (RAL 9005), White (RAL 9010) or Fluo Yellow (RAL 1016)

Fixing System Screw with 2 cables of 78.74" or 196.85" in Black or Alu color



Assembled

Certifications

UL Listed

Acoustics



Absorption



Diffusion



Mid tones



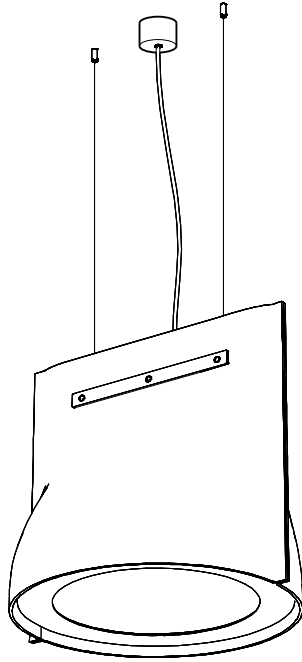
High tones

Content

Configurations	3	Finishes	5
Composition	4	Dimensions	6
Fabrics	5	Acoustics	7

Configurations

BuzziBell



- ◆ Ceiling Suspended
- ◆ Cover in BuzziFelt
- ◆ 2 metal suspension cables
- ◆ Powder coated metal ceiling canopy in white (RAL 9010)
- ◆ Transparent power cable

- ✂ W Ø 23.62" H 23.62"

- ⚖ 24.25 lbs

- ◆ Powder coated metal frame in Black (RAL 9005), White (RAL 9010) or Fluo Yellow (RAL 1016)
- ◆ Fixing System Screw with 2 cables of 78.74" or 196.85" in Black or Alu color

- ⚠ If installing on suspended ceiling, verify load capacity prior to installation.

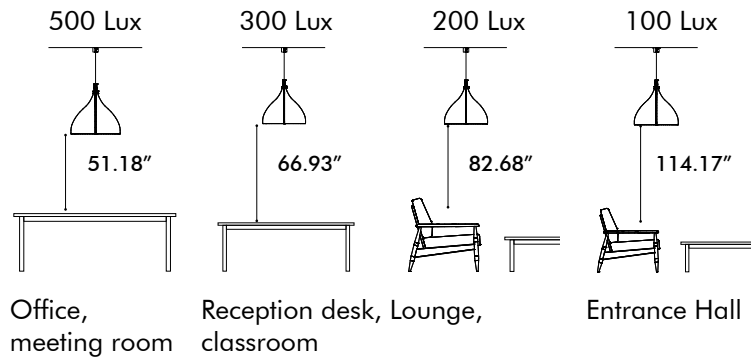
Composition

LED Disk



The LED disk has a PMMA diffuser which ensures an optimal light spread and efficiency. It creates a very diffuse light surface without any dottiness. The light source of the BuzziBell is a LED PCB, containing 36 low power LED's.

To enlight your workplace or room with optimal lux levels take following measures into account.



* According to EN12464

Fabrics

Felt*



Composition 100% Recycled PE.T. Felt, latex backing

Weight 1.000 g/m2 | 29.49 oz/yd2

Abrasion resistance >7.000 Martindale

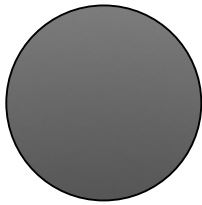
Flammability EU: EN 13501.1 + A1/2009 Class B-s1,d0
USA: ASTM E84 Class A certified

Fastness to light USA 5

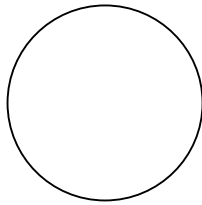


* Due to the process of thermoforming colors may vary slightly

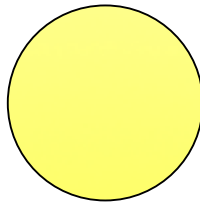
Finishes



Black
(RAL 9005)



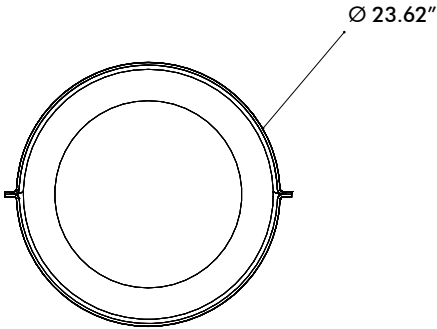
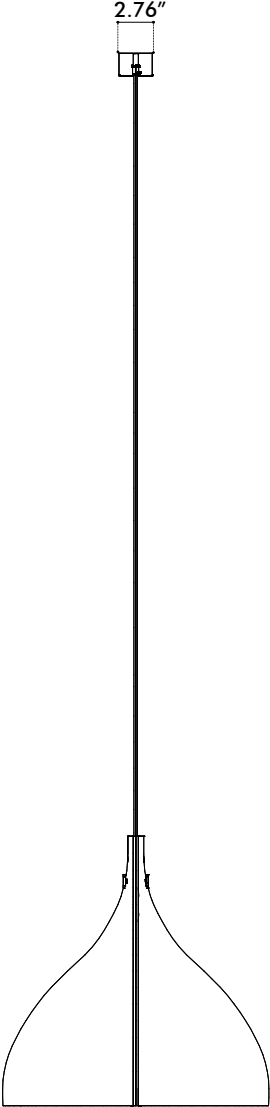
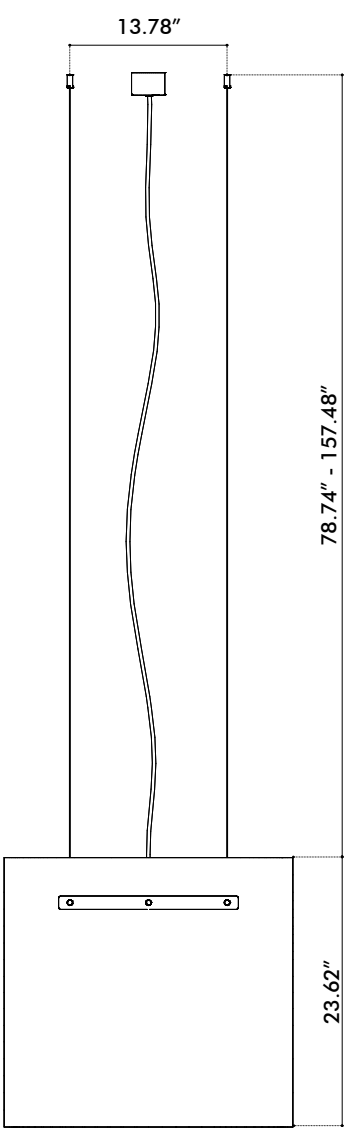
White
(RAL 9010)



Fluo Yellow
(RAL 1016)

Dimensions

BuzziBell



Acoustics

BuzziBell

Equivalent sound absorption area in m² per object

