
BuzziBooth

Product Specification Sheet

This document contains technical information about the BuzziBooth



Upholstered temporary workstation

There has been a big shift toward working in open-plan offices that have a loft-like feeling of home. While there are many benefits, the challenge is maintaining space to make a phone call or work quietly and independently. Designer Alain Gilles' solution is the BuzziBooth: a phonebooth made of sound absorbing felt that dampens outside sounds. Now you can have a moment alone even in the noisiest of surroundings. Micro-architecture for maxi spaces!

Design by Alian Gilles

General

- 🔑 BuzziBooth Single | BuzziBooth Side by Side | BuzziBooth Standing | BuzziBooth Targa
Pattern: Inside: 3D Rib | Diamond
Outside: Flat
- 🌲 Structure: Poplar plywood: 18 mm | 0.71"
Cover: Inside: acoustic foam covered with fabric
Outside: layer of felt covered with fabric
- 🔧 Flat Packed
- ⋮ Light Panel
Bicolor

Acoustics



Absorption



Diffusion



Attenuation



Mid tones



High tones

Certifications



Content

Configurations	3
Pattern	6
Fabrics	6
Dimensions	7
Dimensions Worktop	11
Option BackLight / LightPanel	13

Configurations

BuzziBooth Single

- Single
 - Pattern: Inside: 3D Rib | Diamond
 - Outside: Flat
 - Worktop upholstered

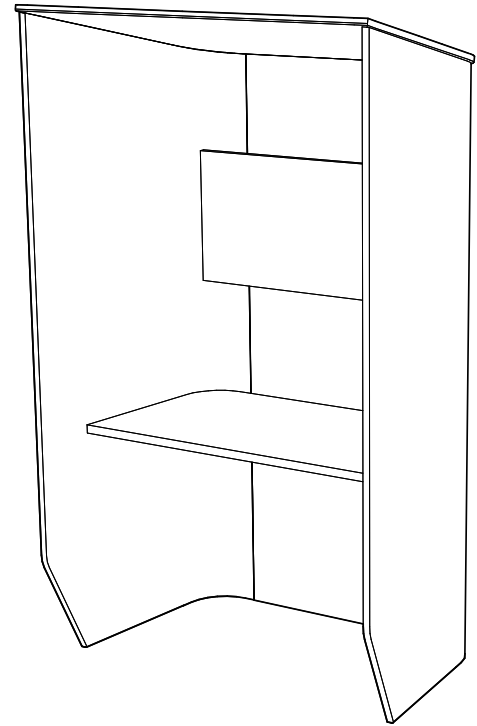
- Core: Poplar plywood: 18 mm | 0.71"
- Cover: Inside: acoustic foam covered with fabric
- Outside: layer of felt covered with Fabric, Rough, Trevira CS+, Memory 2

- Standard: Height: 216 cm | 85.04"
- Width: 129 cm | 50.79"
- Depth: 120 cm | 47.24"

- Lightboard: Height: 43,5 cm | 17.13"
- Width: 93 cm | 36.61"
- Packaging: Height: 142,5 cm | 56.10"
- Width: 44 cm | 17.32"
- Depth: 228,5 cm | 89.96"

- Booth: 88 kg | 194.01 lbs
- Packaging (including Booth): 120,5 kg | 265.66 lbs

- LightPanel EU/ US/ UK (optional)
- Worktop Antwerp Oak
- Worktop Antwerp Oak cable tray
- Worktop White Laminate



BuzziBooth Side by Side

Side by Side



Pattern: Inside: 3D Rib | Diamond
Outside: Flat

Worktop upholstered

Core: Poplar plywood: 18 mm | 0.71"



Cover: Inside: acoustic foam covered with fabric.
Outside: layer felt covered with Fabric, Rough,
Trevira CS+, Memory 2

Standard: Height: 216 cm | 85.04"

Width: 240 cm | 94.49"

Depth: 120 cm | 47.24"



Lightboard: Height: 43,5 cm | 17.13"

Width: 203,6 cm | 80.16"

Packaging: Height: 204,5 cm | 80.51"

Width: 44 cm | 17.32"

Depth: 251,5 cm | 99.02



Booth Side by Side: 131 kg | 288.81 lbs

Packaging (including Booth Side of Side): 186 kg | 410.06 lbs

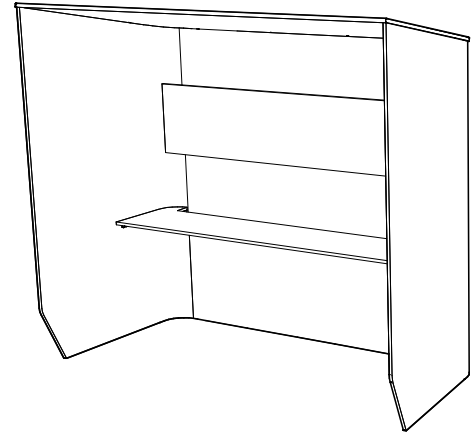
LightPanel EU/ US/ UK (optional)

Worktop Antwerp Oak



Worktop Antwerp Oak cable tray

Worktop White Laminate



BuzziBooth Standing

Standing



Pattern: Inside: 3D Rib | Diamond
Outside: Flat

Worktop upholstered

Core: Poplar plywood: 18 mm | 0.71"



Cover: Inside: acoustic foam covered with fabric
Outside: layer felt covered with Fabric, Rough,
Trevira CS+, Memory 2

Standard: Height: 234 cm | 92.13"

Width: 129 cm | 50.79"

Depth: 120 cm | 47.24"



Lightboard: Height: 43,5 cm | 16.93"

Width: 93 cm | 36.61"

Packaging: Height: 204,5 cm | 80.51"

Width: 44 cm | 17.32"

Depth: 251,5 cm | 99.02"



Standard: 96 kg | 211.64 lbs

Lightboard: 4,8 kg | 10.58 lbs

Packaging (including Booth Standing): 147 kg | 324.08 lbs

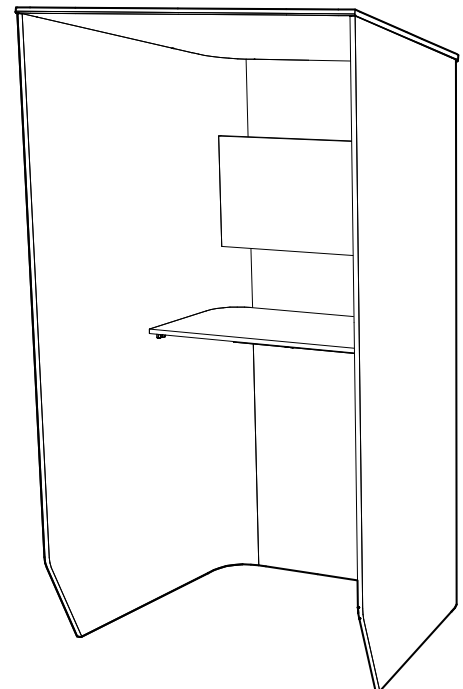
LightPanel EU/ US/ UK (optional)

Worktop Antwerp Oak



Worktop Antwerp Oak cable tray

Worktop White Laminate



BuzziBooth Targa

📍 Targa Small | Medium | Large
Pattern: Inside: 3D Rib | Diamond
Outside: Flat

Core: Poplar plywood: 18 mm | 0.71"

Cover: Inside: acoustic foam covered with fabric



Outside: layer of felt covered with fabric

H 120: Fabric, Rough, Trevira CS+ | CS, Revive 1, Revive 2, Terra, Clara 2, Remix 2, Hero, Tonus 4, Memory 2

H 135: Fabric, Rough, Trevira CS+, Memory 2

Standard: Height: 120 or 135 cm | 47.27" or 53.15"

Width: S: 130 cm | 51.18"

M: 170 cm | 66.93"

L: 210 cm | 82.68"

Depth: 115 cm | 47.24"



Packaging: Height: S: 130 cm | 51.18"

M: 170 cm | 66.93"

L: 210 cm | 82.68"

Width: 80 cm | 31.50"

Depth: 120 cm | 47.24"

Booth Targa: S: 59 kg | 130.07 lbs

M: 69 kg | 152.12 lbs

L: 79 kg | 174.17 lbs



Packaging (including Booth Targa): S: 89 kg | 196.21 lbs

M: 99 kg | 218.26 lbs

L: 109 kg | 240.30 lbs

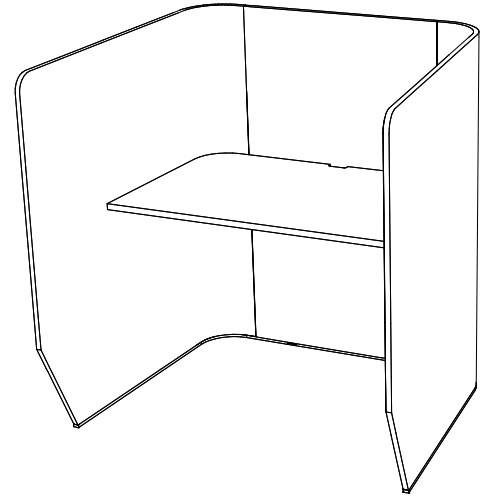
Worktop Antwerp Oak

Worktop Antwerp Oak cable tray



Set of 6~8 alu brackets for customer own worktop

BackLight EU/ US/ UK (optional in combination with worktop oak with cabletray)



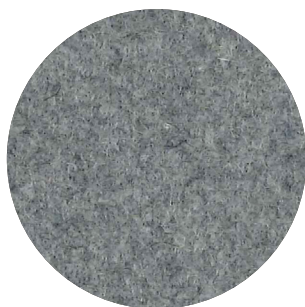
Pattern



Pattern inside: 3D Rib or Diamond

Fabrics

Fabric



Category A

Composition 70% Recycled Wool, 25% Recycled Polyacryl,
5% Recycled Other Fabrics

Weight 405 g/m² | 11.94 oz/yd²

Abrasion resistance 40.000 Martindale, 50,000 Wyzenbeek

Flammability EU: EN 1021.1/2006 | BS EN 1021.1/2006 (cigarette).
EN 1021.2/2006 | BS EN 1021.2/2006 (match)
USA: CAL TB 117 | ASTM E84 CLASS A

Fastness to light EU: 4 | USA 4

Fastness to rubbing EU: Wet 3-4 | Dry 4-5

Fastness to crocking USA: Wet 5 | Dry 5



Rough



Category A

Composition 100% Polyacryl

Weight 456 g/m² | 13.45 oz/yd²

Abrasion resistance 40.000 Martindale

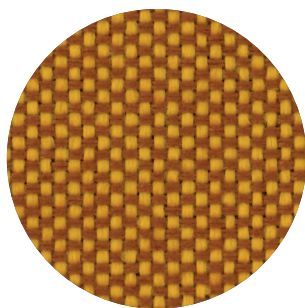
Flammability EU: EN 1021.1/2006 | BS EN 1021.1/2006 (cigarette)
USA: CAL TB TB 117

Fastness to light EU: 5

Fastness to rubbing EU: Wet: 3 | Dry: 3



Trevira CS+ | CS



Category A

Weight 420 g/m² | 12.39 oz/yd²

Composition 100% Polyester, Trevira CS

Abrasion resistance 100.000 Martindale, 90,000 Wyzenbeek

Flammability BS 5852 part II: CRIB 5 | BS 7176 Medium Hazard
USA: CAL TB 117 | M1 | B1 | EN 1021/1-2 | C1 |
IMO Res. A652 (16)

Fastness to light EU: 6 | USA 5

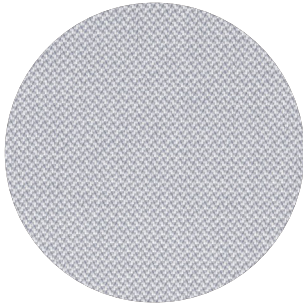
Fastness to rubbing EU: Wet 4-5 | Dry 4-5

Fastness to crocking USA: Wet 5 | Dry 5



Revive 1

kvadrat



Category A

Composition 100% recycled polyester FR

Weight 430 g/lin.m

Abrasion resistance 60.000 Martindale rubs, EN ISO 12947

Flammability EN 1021-1/2 | DIN 4102 B1 | Önorm B1/Q1

UNI 9175 11M | US Cal. Tech. Bull. 117

IMO A.652 (16)

Fastness to light Note 5-7, ISO 105-B02

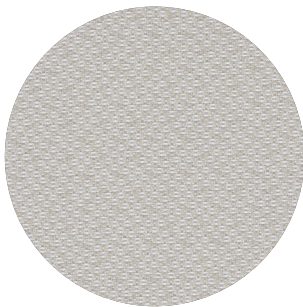
Fastness to rubbing (ISO) dry 5, wet 4-5

Pilling Note 4-5, EN ISO 12945



Revive 2

kvadrat



Category A

Composition 100% recycled polyester FR

Weight 420 g/lin.m

Abrasion resistance 45.000 Martindale rubs, EN ISO 12947

Flammability EN 1021-1/2 | DIN 4102 B1 | Önorm B1/Q1

UNI 9175 11M | US Cal. Tech. Bull. 117

IMO A.652 (16)

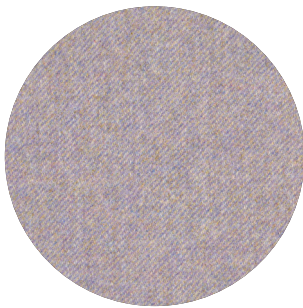
Fastness to light Note 5-7, ISO 105-B02

Fastness to rubbing (ISO) dry 5, wet 4-5

Pilling Note 4-5, EN ISO 12945



Terra



Category B

Composition 100% Pure New Wool

Weight 370 g/m² | 10.91 oz/yd²

Abrasion resistance 40.000 Martindale, 25,000 Wyzenbeek

Flammability EU: BS5852 CRIB 5 | BS5867 PART 2 : 2008 : TYPE B

EN: 1021.2/2006 | USA: CAL TB 117

Fastness to light EU 5 | USA 5

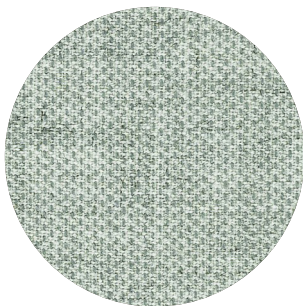
Fastness to rubbing EU: Wet 4 | Dry 4

Fastness to crocking USA: Wet 4 | Dry 4



Clara 2

kvadrat



Category B

Composition 92% new wool, 8% nylon

Weight 400 g/lin.m

Abrasion resistance 80.000 Martindale rubs, EN ISO 12947

Flammability EN 1021-1/2 | BS 5852, ignition source 2-3 | DIN 4102 B2

NF D 60 013 | UNI 9175 11M | US Cal. Tech. Bull. 117, Sec. E

NFPA 260 | IMO A.652(16)

Fastness to light Note 5-7, ISO 105-B02

Fastness to rubbing (ISO) dry 4-5, wet 4

Pilling Note 4, EN ISO 12945



Remix 2

kvadrat



Category B

Composition 90% new wool, 10% nylon

Weight 415 g/lin.m

Abrasion resistance 100.000 Martindale rubs, EN ISO 12947

Flammability EN 1021-1/2 | BS 5852 part 1

Önorm B1/Q1 | NF D 60 013 | UNI 9175, 1IM

AS/NZS 1530.3 | Cal. Tech. Bull. 117-2013

NFPA 260 | IMO FTP Code 2010:Part 8

Fastness to light Note 5-7, ISO 105-B02

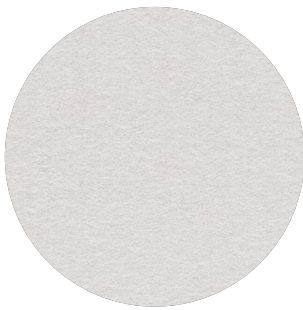
Fastness to rubbing (ISO) dry 4-5, wet 4

Pilling Note 4, EN ISO 12945



Hero

kvadrat



Category C

Composition 96% new wool, 4% nylon

Weight 580 g/lin.m

Abrasion resistance 45.000 Martindale rubs, EN ISO 12947

Flammability EN 1021-1/2 | DIN 4102 B2 | NF D 60 013

UNI 9175 1IM | US Cal. Bull. 117-2013 | NFPA 260

IMO A.652 (16)

Fastness to light Note 5-6, ISO 105-B02

Fastness to rubbing (ISO) dry 4-5, wet 4-5

Pilling Note 3-4, EN ISO 12945



Tonus 4

kvadrat



Category D

Composition 90% new wool, 10% Helanca

Weight 665 g/lin.m

Abrasion resistance 100.000 Martindale rubs, EN ISO 12947

Flammability EN 1021-1/2 | BS 5852 part 1 | DIN 4102 B2

Önorm B1/Q1 | NF D 60 013 | UNI 9175 1IM

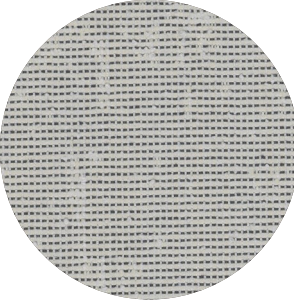
US Cal. Bull. 117-2013 | NFPA 260 | IMO A.652 (16)

Fastness to light Note 5-7, ISO 105-B02

Fastness to rubbing (ISO) dry 3-5, wet 3-5

Pilling Note 3, EN ISO 12945





Category E

Composition 100% Trevira CS

Weight 700 g/lin.m

Abrasion resistance

35.000 rubs acc. to the Martindale method, EN ISO 12947

Flammability EN 1021-1/2 | DIN 4102 B1 | Önorm B1/Q1
NF D 60 013 | NF P 92 507 M1 | UNI 9175 11M
UNI 9177 classe 1 | US Cal. Tech. Bull. 117
IMO A.652 (16)

Fastness to light Note 5-8, ISO 105-B02

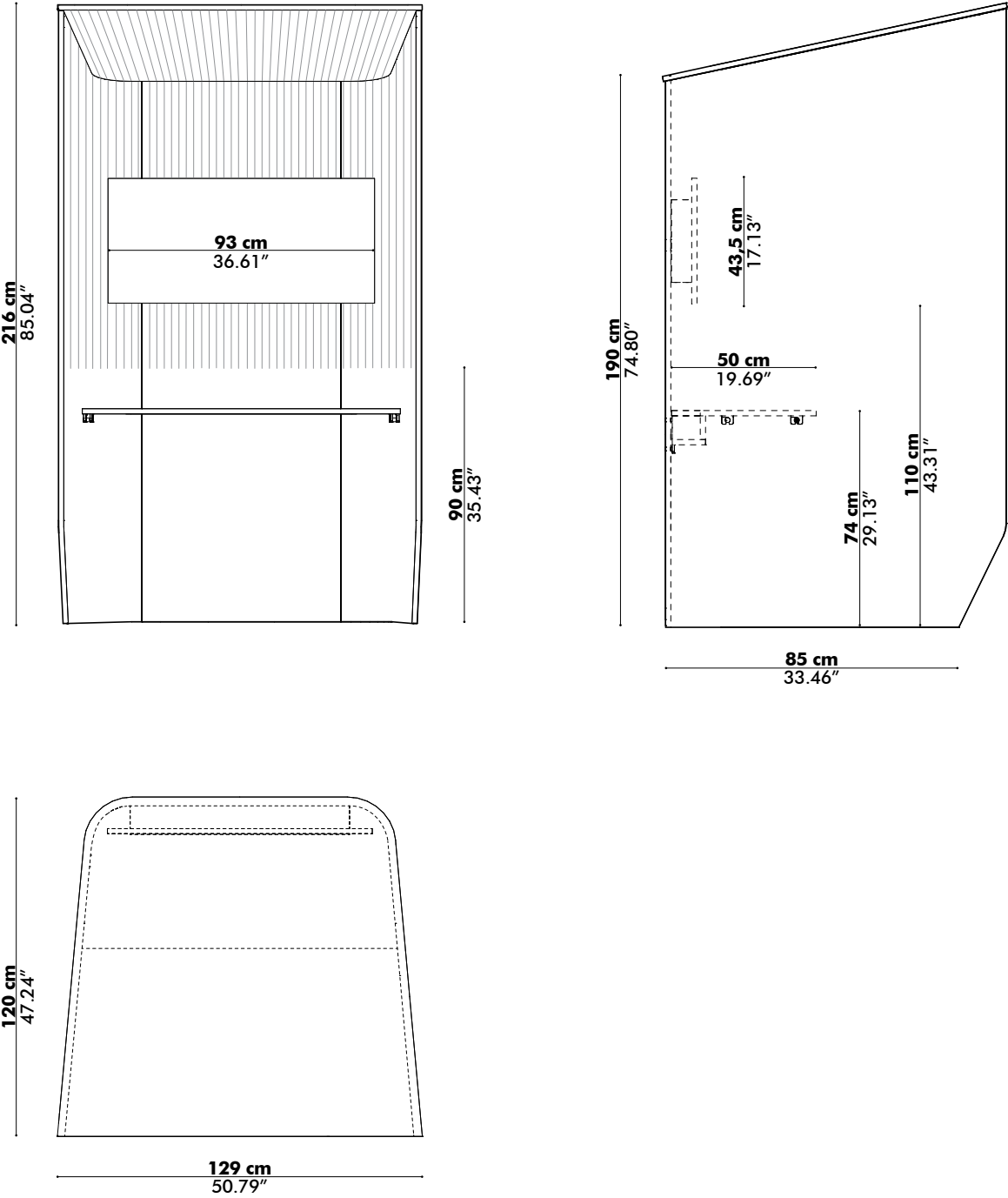
Fastness to rubbing (ISO) dry 4-5, wet 4-5

Pilling Note 4, EN ISO 12945

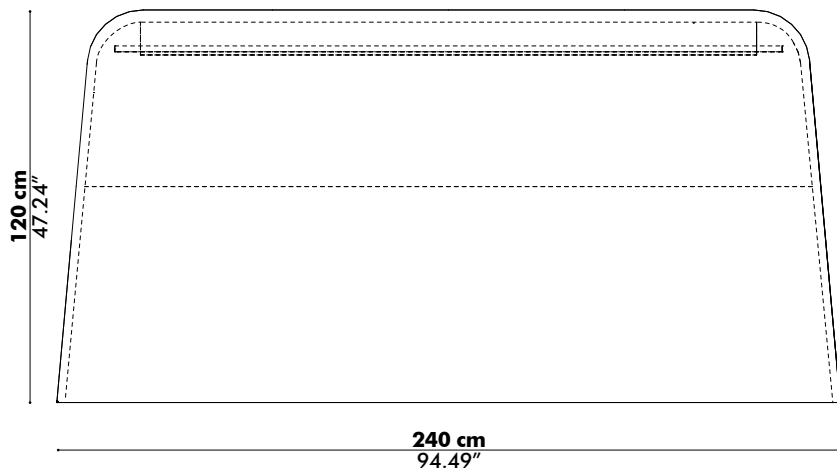
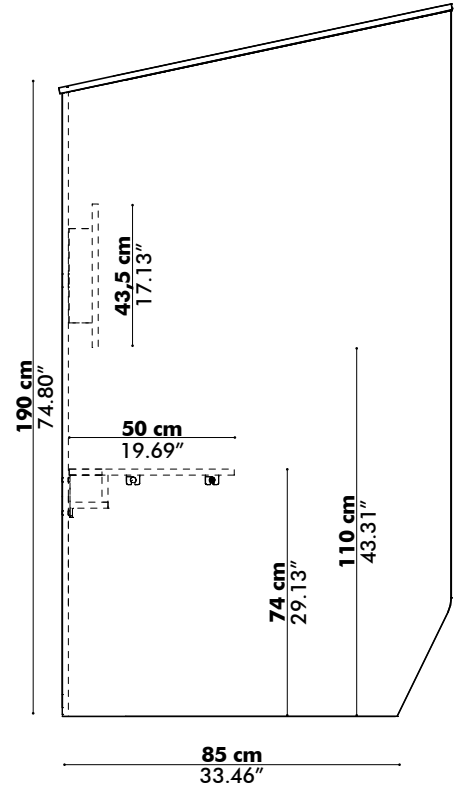
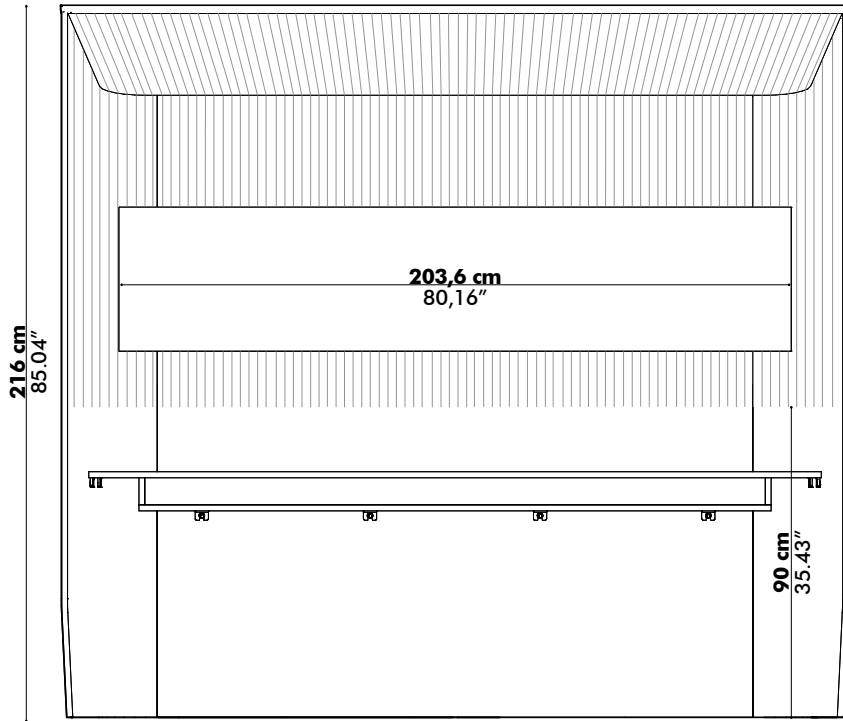


Dimensions

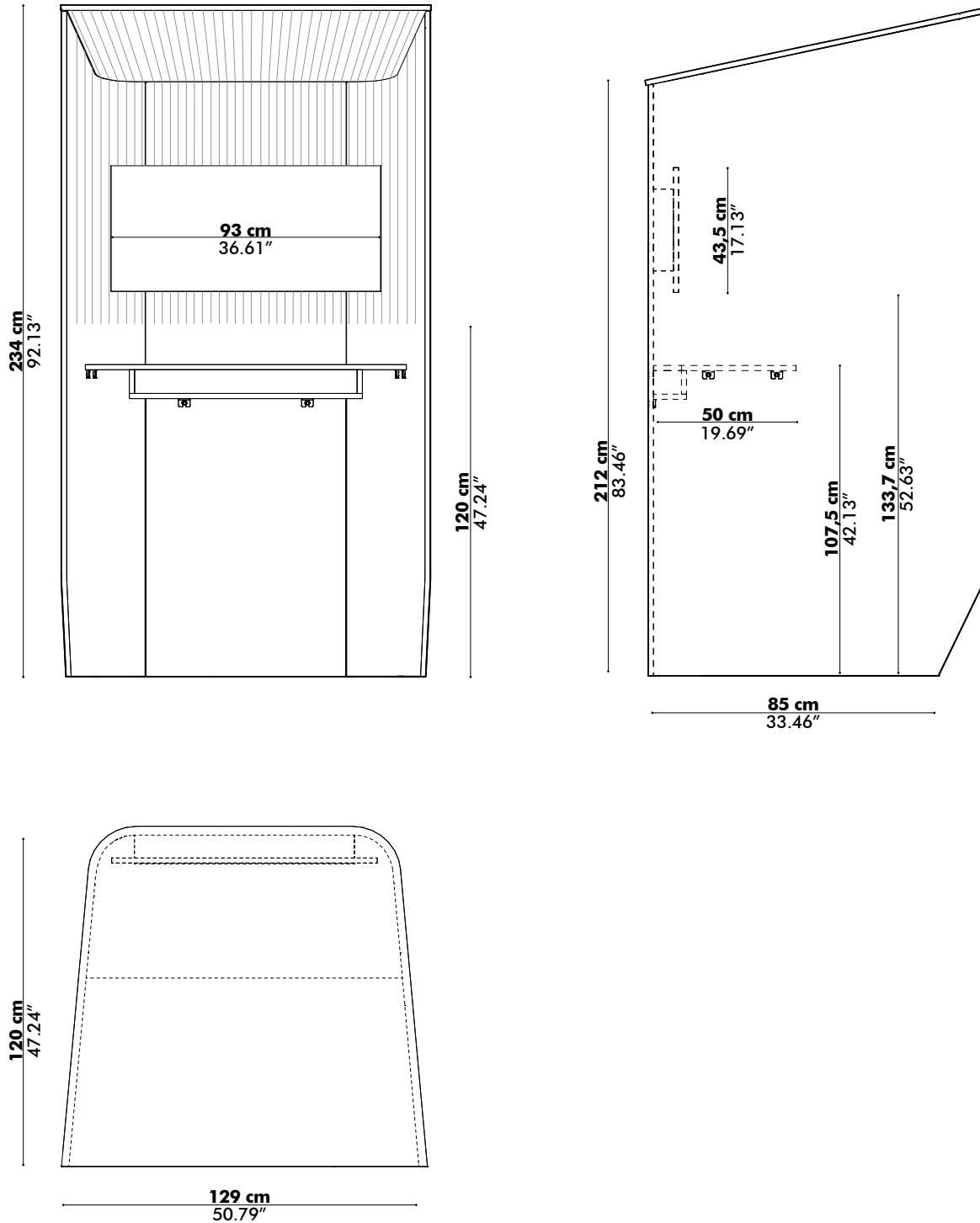
BuzziBooth Single



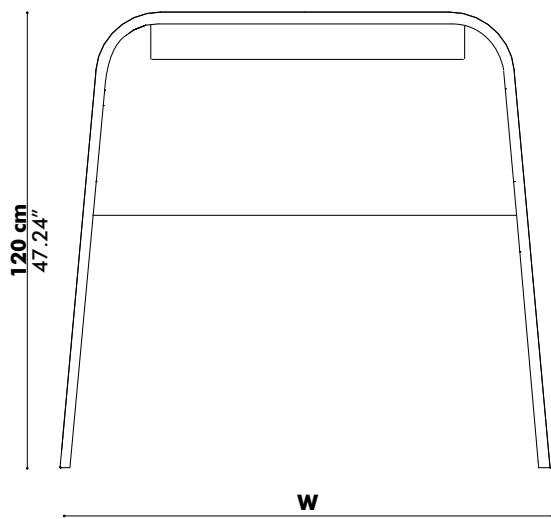
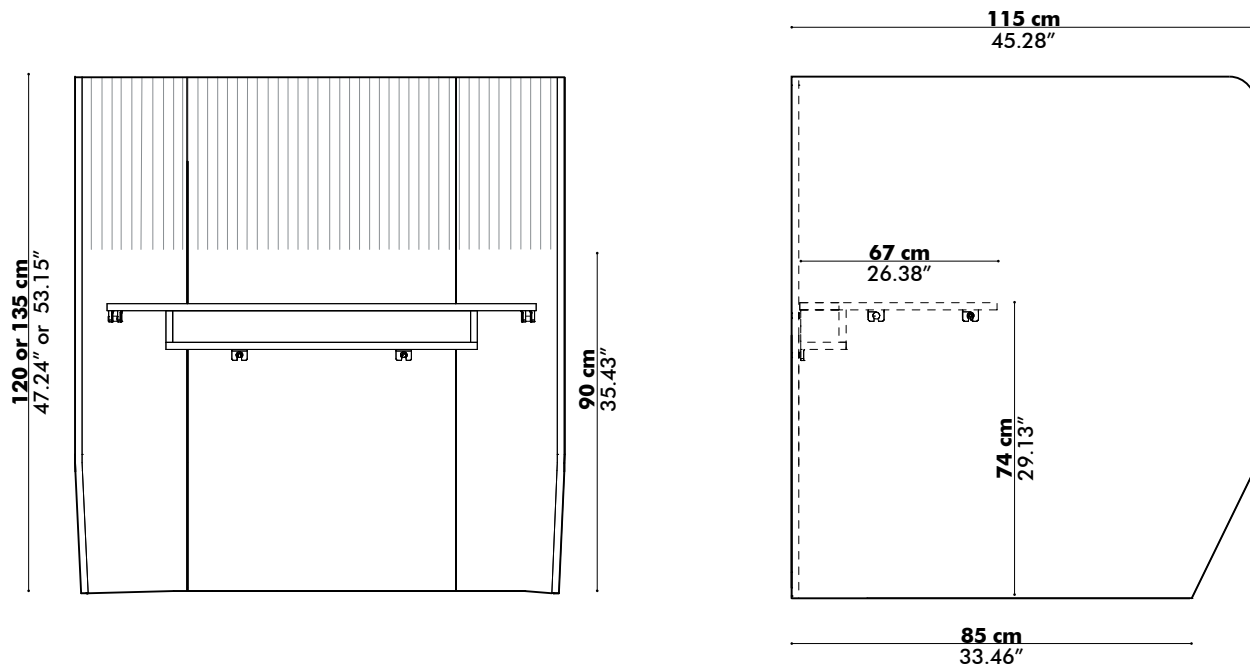
BuzziBooth Side by Side



BuzziBooth Standing



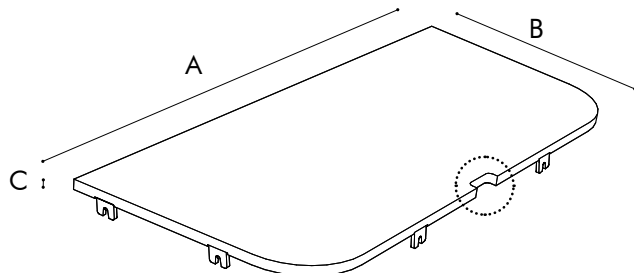
BuzziBooth Targa



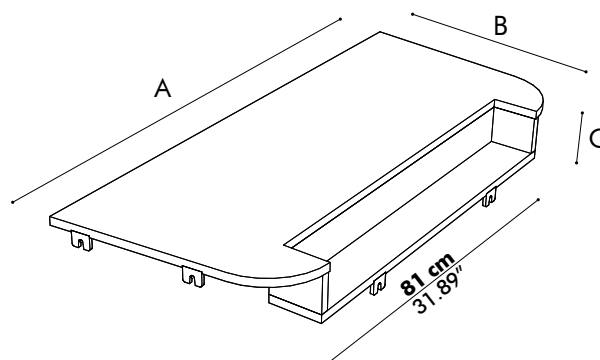
	Small	Medium	Large
W = Width	130 cm 51.18"	170 cm 66.93"	210 cm 82.68"

Dimensions Worktop

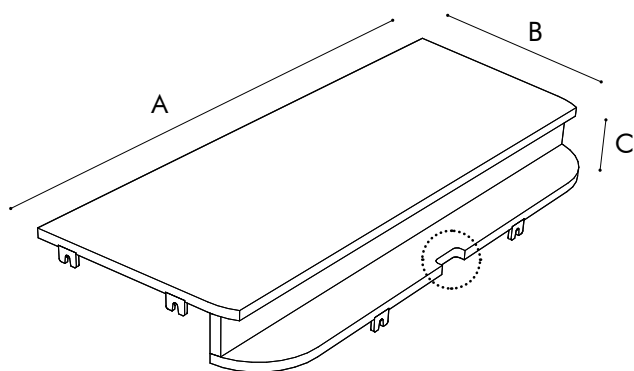
Worktop in Antwerp Oak | White Laminate
without cabletray



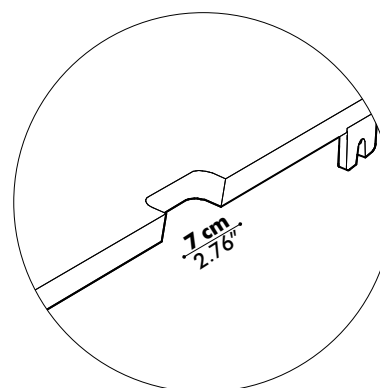
Upholstered worktop with cabletray
(Not for Targa)



Worktop in Antwerp Oak
with cabletray



Detail



BuzziBooth Single | Standing

	'A' Width	'B' Depth	'C' Height	Weight
Upholstered worktop with cabletray	110 cm 43.31"	50 cm 19.69"	12 cm 4.72"	5,4 kg 11.90 lbs
Worktop in White Laminate- without cabletray	110 cm 43.31"	50 cm 19.69"	2 cm 0.79"	7,6 kg 16.76 lbs
Worktop in Antwerp Oak* without cabletray	110 cm 43.31"	50 cm 19.69"	2 cm 0.79"	8 kg 17.64 lbs
Worktop in Antwerp Oak* with cabletray	110 cm 43.31"	50 cm 19.69"	12 cm 4.72"	10,3 kg 22.71 lbs

*These solid wood worktops may contain knots, natural color variations and drying splits as normal features of the product. This contributes to the uniqueness of each worktop.

BuzziBooth Side by Side

	'A' Width	'B' Depth	'C' Height	Weight
Upholstered worktop with cabletray	220 cm 86.61"	50 cm 19.69"	12 cm 4.72"	10,8 kg 23.81 lbs
Worktop in White Laminate - without cabletray	220 cm 86.61"	50 cm 19.69"	2 cm 0.79"	15,2 kg 33.51 lbs
Worktop in Antwerp Oak* without cabletray	220 cm 86.61"	50 cm 19.69"	2 cm 0.79"	16 kg 35.27 lbs

BuzziBooth Targa

	'A' Width	'B' Depth	'C' Height	Weight
	S 110 cm 43.31"			S 10,3 kg 22.71 lbs
Worktop in Antwerp Oak* with cabletray	M 150 cm 59.06"	67 cm 26.38"	12 cm 4.72"	M 14,02 kg 30.91 lbs
	L 190 cm 74.80"			L 28,04 kg 61.82 lbs
	S 110 cm 43.31"			S 8 kg 17.64 lbs
Worktop in Antwerp Oak* without cabletray	M 150 cm 59.06"	67 cm 26.38"	2 cm 0.79"	M 10,88 kg 23.99 lbs
	L 190 cm 74.80"			L 21,76 kg 47.97 lbs

*These solid wood worktops may contain knots, natural color variations and drying splits as normal features of the product. This contributes to the uniqueness of each worktop.

Option BackLight / LightPanel

General

- 💡 Connectable integrated LED tube
- 🌲 Material: Aluminum body, Clear PC cover
- LED: SMD 3014
- 💡 Color temperature: 3000 Kelvin
- Input Voltage / Frequency: 100 - 277 V 50/60Hz



Certifications

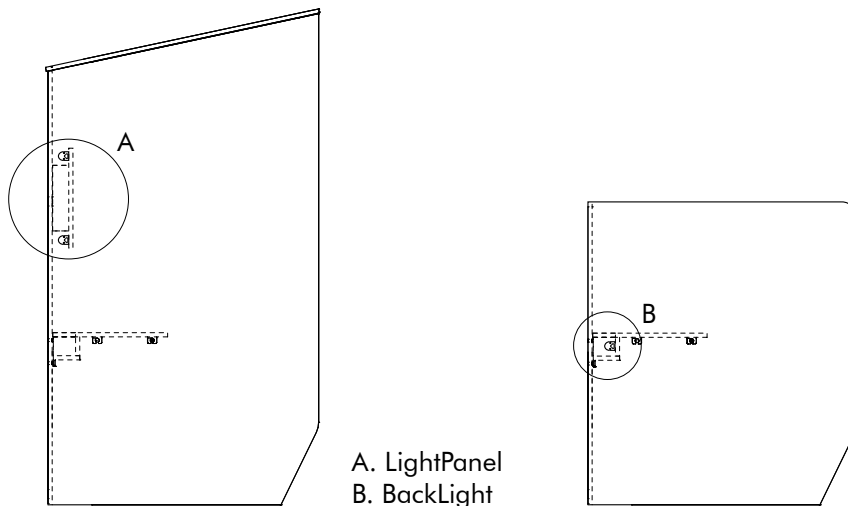
cULus Listed E471267 or ETL Certified
CE

Specifications per element

Wattage: 7W / element
Lumen: 700 ±10% / element
Length: 55,5 cm - 21.85" / element
1 On-Off switch / element

Accessories

Power cable: White
4 m – 157.48"
Type B Plug (US, ...), Type G Plug (UK, ...) or Schuko Plug (BE, NL,...)
Mounting clips
Connector accessories



BuzziBooth

	Single	Standing	Side by side	Targa		
				Small	Medium	Large
Qty LED tubes	2	2	4	1	2	2
Total wattage	14W	14W	28W	7W	14W	14W
LED tube dimensions	2x 55,5 cm 2x 21.85"	2x 55,5 cm 2x 21.85"	2x 111 cm 2x 43.70"	2x 55,5 cm 2x 21.85"	2x 111 cm 2x 43.70"	2x 111 cm 2x 43.70"
Total lumen	700 up 700 down	700 up 700 down	1400 up 1400 down	700	1400	1400
Power cable (4 m)	1	1	1	1	1	1
Configuration	A	A	B	C	D	D

Configurations

- A** Two LED tube elements linked by a 50 cm - 19.69" connection cable, located behind the light panel, positioned on top and bottom of the light panel. LED tubes are pre-installed onto the light panel.
- B** Two LED tube elements connected with a connector create a double length LED tube. Two double length LED tubes are linked by a 50 cm - 19.69" connection cable, located behind the light panel, positioned at the top and bottom of the light panel. LED tubes are pre-installed onto the light panel.
- C** A LED tube element located inside the cable tray. LED tube needs to be installed by the customer.
- D** Two LED tube elements connected with a connector create a double length LED tube, located inside the cable tray. LED tube needs to be installed by the customer.