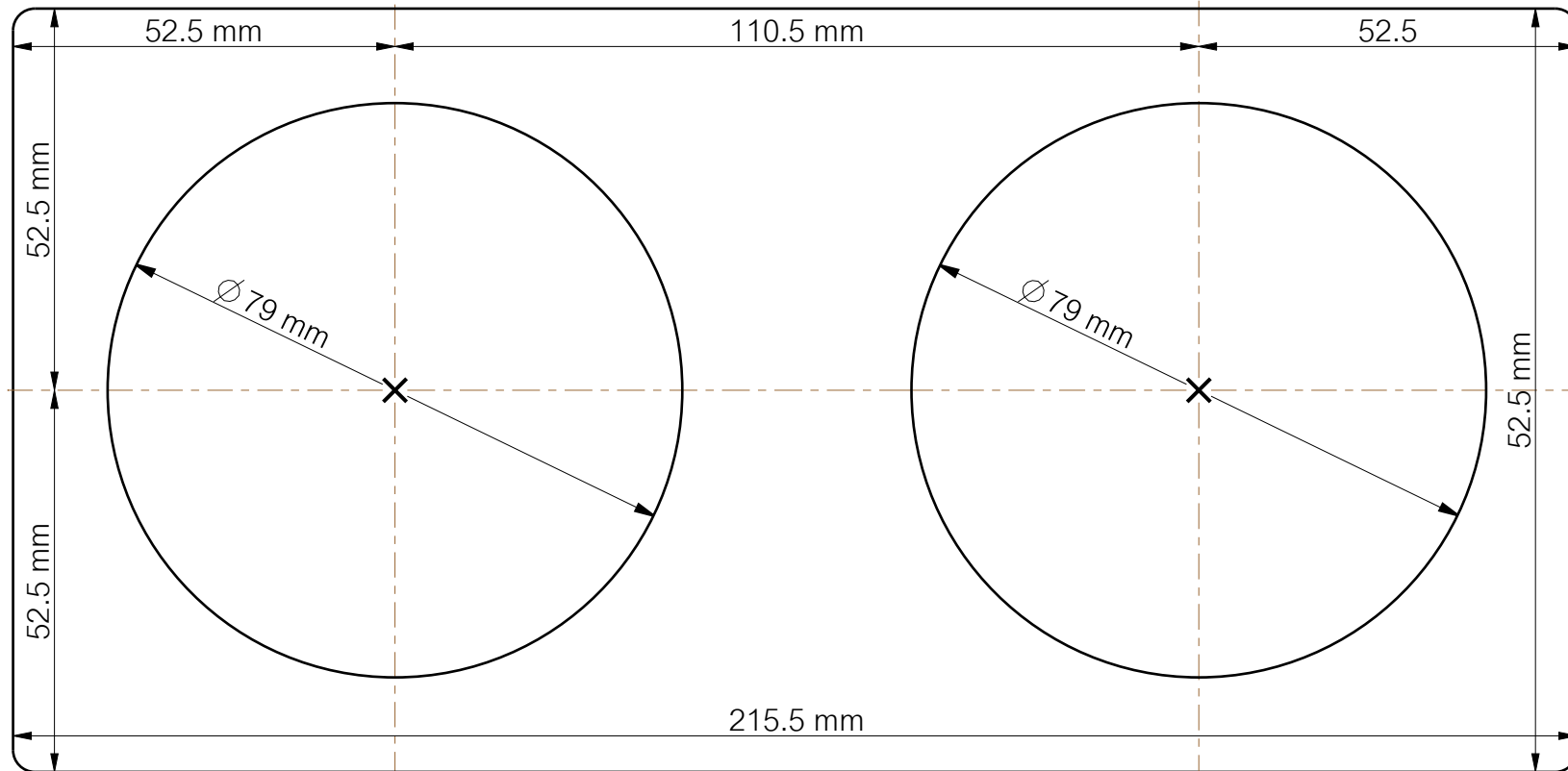


# Powerdot Twin Metal Frame - DRILLING TEMPLATE

935-PF02W, 935-PF02, 935-PF02B



**NOTE! 1:1 scale. To use as a drilling template, print on A4 paper.**