



RH Extend



**DESIGNED
FOR
HUMAN
PERFORMANCE**

Meinema | De Meubelmakelaar | 0031-20 311 8396

RH EXTEND

This elegant chair is as user-friendly as it is ergonomic. RH Extend is designed to give your body the best possible support and relaxation, while at the same time encouraging you to move around. RH Extend is easily adjustable to give everyone a unique working position. All RH Extend chairs are also available in ESD editions.





INTUITIVE DESIGN

A functional chair at a comfortable price

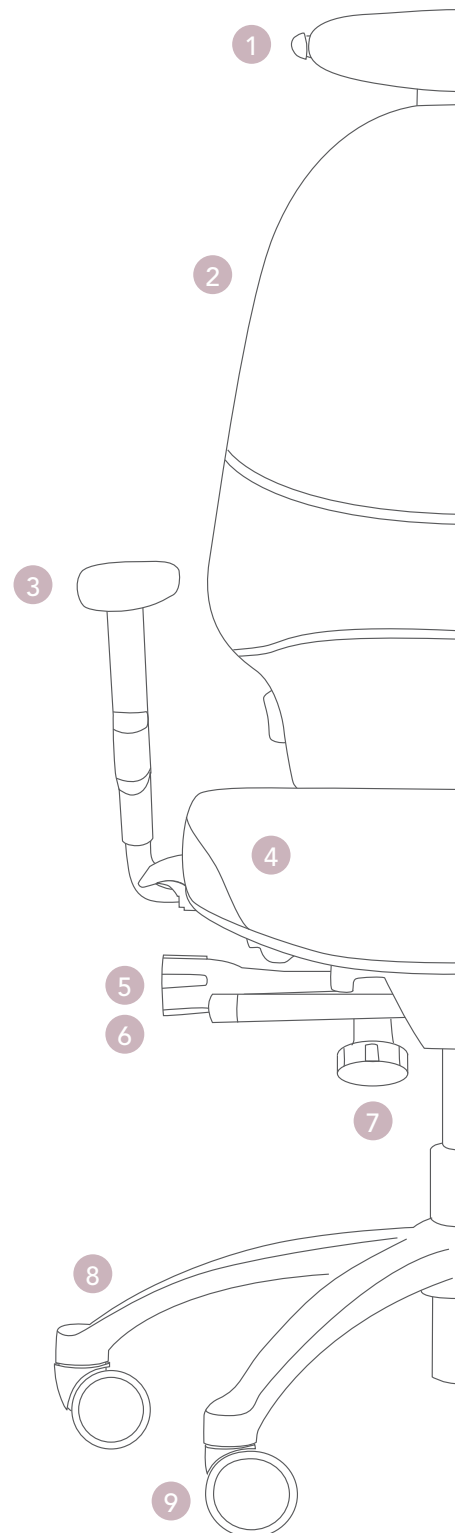
The RH Extend is a high-performance ergonomic work tool. Its intuitive design makes it the ideal choice for today's ever-changing workplace. The Extend range comes in two sizes – medium and large – and with two mechanism options ensuring the perfect fit for any organisational need. The fact that it is also among the very best of environmentally sound chairs available makes it an even more compelling proposal.





Functionality

- ① **The neckrest**
can be adjusted by height and depth, providing comfort and support.
- ② **The backrest**
is available in two sizes and is equipped with a "Tvedts" cushion, providing superb support for the whole upper body. The shape of the backrest encourages movement. The height is adjusted with the simple push of a button.
- ③ **The armrests**
two armrest variants are available. Both can be adjusted by height and width, one can also be adjusted by depth while the other can be rotated 360 degrees.
- ④ **The seat**
provides excellent support and has a waterfall edge to reduce pressure on the underside of the thighs, aiding circulation. It is also designed to keep you positioned in the middle of the seat, even when it is inclined forward. Choose between two seat sizes.
- ⑤ **The controls**
for the height and depth of the seat, as well as for the angle of the backrest (RH Extend 220/200) are all conveniently located on the right-hand side of the chair. The height improves blood flow in the legs while the seat depth provides greater comfort and support. Pictograms make controls easy to understand.
- ⑥ **The tilt mechanism**
is infinitely adjustable, with a smooth action that can be locked in any chosen position. Dynamic seating means the chair follows your every movement regardless of working position providing complete support, enabling you to always sit correctly and breathe properly.
- ⑦ **Tilt resistance**
of the tilt mechanism is simply adjusted according to body weight and height. This allows the chair to follow your movements without the need to exert muscular force to push the chair into new positions. The control is located beneath the seat.
- ⑧ **Footbase**
there are three base designs available. Grey, black or polished aluminium.
- ⑨ **Castors**
for both soft and hard floors are available.





AN ENVIRONMENTALLY INTELLIGENT CHAIR

All chairs from RH are as kind to the environment as they are good for the body. Like all our chairs, the RH Extend is recyclable. Many of its components are made from recycled materials, our manufacturing processes use low energy technology.

The seat and backrest pads are exchangeable - so you will not need to replace your chair just because the upholstery needs to be changed. This benefits both your wallet and the environment.



CERTIFICATES

- EN 1335
- IEC 61340 (ESD)
- BS 5459
- Möbelfakta
- EPD, ISO 14025
- GREENGUARD





Montag	Dienstag	Mittwoch	Donnerstag	Freitag	Samstag	Sonntag
1	2	3	4	5	6	7
8	9	10	11	12	13	14
15	16	17	18	19	20	21
22	23	24	25	26	27	28
29	30	31				

Jan. Febr. März Apr. Mai Juni Juli Aug. Sept. Okt. Nov. Dez.

RH Extend 120

Options

For your flexibility, a number of accessories are available for the RH Extend. Naturally, you can also buy the basic chair and add accessories as you need them.



- | | |
|-------------------------------------|--|
| 1 Neckrest | 7 Armrest 8S (height, width, rotating) |
| 2 Coat-hanger | 8 Armrest 8E Black/ESD, depth-adjustable |
| 3 Exchangeable pad | 9 Castors for hard floors |
| 4 Decorative stitching | 10 Base 5X polished aluminium |
| 5 Extra-large seat | 11 Base 5X black lacquered aluminium |
| 6 Armrest 8E (height, depth, width) | 12 Base 5X grey lacquered aluminium |

Gas stems

4Q, standard, approx. 400-510 mm
4P, approx. 440-550 mm

Different styles for different users



RH EXTEND 120

RH Extend 100 and 120 follows your slightest movement – regardless of working position. The chair maintains its basic settings regardless of whether you lean forwards or backwards or whether you lock or release the tilt mechanism – a practical and simple alternative when several people use the same chair.



RH EXTEND 100

Same functions as RH Extend 120 although with a lower backrest.



RH EXTEND 220

RH Extend 200 and 220 has in addition to the features on the 100 series a separate back angle adjustment. The back of the chair can be angled precisely according to individual preference, making this a uniquely adjustable and user-friendly chair.



RH EXTEND 200

The RH Extend 200 offers the same functions as RH Extend 220 but with a lower backrest.

