



**meinema**  
interieur | ontwerp | uitvoering



info@meinema.nl



0031 - 20 311 8396

# FRITZ HANSEN



LET™  
PRODUCT FACT SHEET

## LET™

The Let™ lounge chair is a low lounge chair with a fine silhouette and sculptural design by Sebastian Herkner for Fritz Hansen. The seat cushion visually ‘floats’ on the frame, surrounded by an enveloping backrest. Let embodies the German designer’s skills and aesthetic, with Fritz Hansen’s expert craftsmanship. It is designed for a wide variety of expressions and interior styles.

**PRODUCT TYPE**

Lounge chair

**ENVIRONMENT**

Indoor

**DESIGNER / YEAR OF DESIGN**

Sebastian Herkner, 2020

**ABOUT THE DESIGNER**

Sebastian Herkner (born 1981) studied Product Design at HfG Offenbach University of Art and Design. During his studies he began to focus on designing objects and furniture, honing his keen sense for materials, colors and textures. Sebastian Herkner founded his own studio in 2006. His works have won numerous accolades – among others the IF Award, the Iconic Award and the Elle Deco International Design Award (EDIDA). As Guest of Honor to imm cologne 2016, Sebastian Herkner provided the design for “Das Haus”. Maison&Objet has elected him 2019 “Designer of the Year”.

**MODELS**

SH200: Lounge chair w. wooden base

SH210: Lounge chair w. steel base

**MATERIAL**

**Shell:** The shell of the Let™ lounge chair consists of a fully upholstered seat and backrest. Both are made from moulded foam with an embedded inner steel frame.

**Base:** The wooden base is made of solid wood and comes in 3 finishes. The steel base is made of Ø18 mm steel tubes and comes in chromed or powder coated steel. Both base options are mounted with black spacers and comes with elastomer glides.

**Materials in %:**

SH200:	SH210:
Wood: 17%	Steel: 56%
Steel: 41%	PUR foam: 44%
PUR foam: 42%	

**FEATURES**

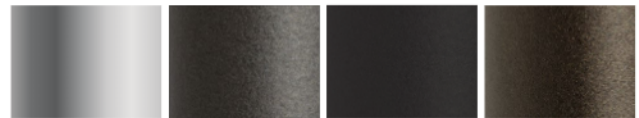
- Felt glides

**COLOURS**

The wooden base is available in 3 variants:

LACQUERED  
ASHLACQUERED  
OAKBLACK  
COLOURED  
ASH

The steel base is available in 4 variants:



CHROMED

WARM GRAPHITE

BLACK

BROWN BRONZE

**UPHOLSTERY**

Let™ is available in the following selection of textile and leather types:

**Textile:** Christianshavn™, Canvas, Divina, Divina Melange, Divina MD, Fame, Fiord, Hallingdal, Hue, Remix, Re-wool, Steelcut, Steelcut Trio, Sunniva, Tonus and Vidar.

**Leather:** Essential.

**MADE-TO-ORDER**

Non-standard configurations (special colours, upholstery etc.) are available upon request at a minimum order quantity.

**PRODUCTION PROCESS**

**Shell:** The backrest is made from PUR-foam moulded around an inner steel frame. The seat is also made from PUR-foam moulded around a steel frame with nozag springs. The two pieces are upholstered individually and assembled.

**Base:** The wood base is made from CNC milled solid wood. After gluing, all bases are sanded and finished with a PU lacquer. The steel base is made from bended and welded steel tubes and is available in either chromed steel or powder coated steel. Fritz Hansen uses both trivalent chromium (Cr3) and hexavalent chromium (Cr6) for chromium plating. Fritz Hansen will convert to solely using trivalent chromium (Cr3) when the capacity in the industry allows it.

**CERTIFICATION**

- FSC™ FSC-C120451: The wood used for Let™ is FSC-certified (FSC MIX). The FSC-certification ensures the wood is from responsible and environmentally managed forests that preserve the natural surroundings and support the local community.
- GreenGuard Gold: Let™ is GreenGuard Gold certified. GreenGuard certification is an emission certification for indoor air quality. Products with ultra-low-emitting materials can achieve GreenGuard Gold.

For more information about environment and manufacturing processes, please download our environmental information sheet at: [fritzhanzen.com](http://fritzhanzen.com)

**TEST**

- Strength and durability: EN 16139:2013 (EN 1728) Test Level 2 General Contract use
- Strength and durability: ANSI/BIFMA X5.4-2020
- Stability: EN 1022:2005

**WEIGHT**

SH200: 16,0 kg / 8.8 lbs  
SH210: 15,2 kg / 11.2 lbs

**COUNTRY OF ORIGIN**

Poland

**PRE-ASSEMBLED**

Yes

**PACKAGING**

The chair is covered with a recycled plastic bag and shipped in a recycled cardboard box. All packaging material can be recycled.

**CLEANING AND CARE**

Find recommendations for cleaning and care at: [fritzhanzen.com/maintenance](http://fritzhanzen.com/maintenance)

**REPAIR, DISPOSAL AND REUSE**

In case of repair and disposal of the lounge chair, the bases and spacers can be disassembled from the shell. In case of disposal, bases and spacers can be sorted for recycling. Check local regulations for recycling options and whether there is potential for reuse. The seat and backrest requires special handling due to the embedded steel frames.

**WARRANTY**

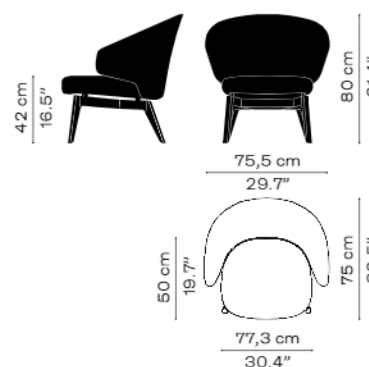
Fritz Hansen provides a five-year warranty on standard products against defects in materials and workmanship.

On any material, fabric or leather, which is not listed in our price list on a specific product, the standard warranty is 2 years.

Additional warranty conditions can be found at: [fritzhanzen.com/warranty](http://fritzhanzen.com/warranty)

**SPARE PARTS**

A range of spare parts can be found on: [fritzhanzen.com/en/Categories/Products/Spareparts](http://fritzhanzen.com/en/Categories/Products/Spareparts)

**DIMENSIONS****SH200****SH210**