



Acoustics & Lighting



meinema
interieur | ontwerp | uitvoering



info@meinema.nl



0031 - 20 311 8396

SNOWSOUND
Caimi

SPECIFICATION

Range: **OVERSIZE LUX**
Design: **Marc Sadler**

“Snowsound Technology” sound-absorbing element suspended from the ceiling with cables, with lighting element.

Panel description:

Both faces with convex section 36 mm thick, consisting of an internal padding in variable density polyester fiber. The density decreases moving towards the heart of the panel, which is covered on both sides with Trevira CS® polyester fabric, solidly applied to the padding. The panel is double sided, with same characteristics on both sides. It is characterized by the rigid edge obtained by the manufacturing process itself, without any supporting and/or stiffening frame. The central part it is die-cut to allow the fitting of the lamps.

The panel has an **Italian Class1** fire reaction and **Euroclass B-s2, d0**.

The panel is **Greenguard Gold** certified, which validates its low VOC emission and its contribution to the quality of the indoor environment.

The panel is **100% recyclable** and has no detectable formaldehyde content according to UNI EN 717-2. It does not contain felts or other organic materials that are hardly recyclable.

The panel has been tested in reverberation chamber according to UNI EN ISO 354 and obtained “**Acoustic Absorption Class A**”, in accordance with UNI EN ISO 11654.

Panel dimensions: 119x59 cm 119x119 cm
 159x59 cm 159x119 cm

Lighting element description:

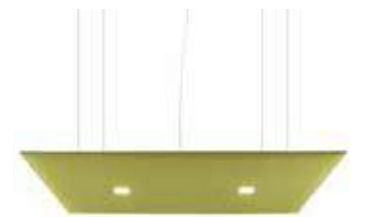
The lamp element made of epoxy powder-coated steel is positioned in the upper part of the panel and screwed to the frame with special screws. The diffuser is located inside the die cut of the panel.

(For the lighting technical characteristics of the lamps, please consult the card ST.007S-3)

Fixing kit description:

The panel is equipped at the top with a stiffening frame made of galvanized tubular steel with a rectangular section (40x10 mm, thickness 1,2 mm), which is fixed directly to the panel with self-tapping screws. The frame is equipped with 4 slots. They hold 4 cylindrical threaded elements \varnothing 10 mm that grant precise height adjustment of the cables by means of a pressure system with safety lock; 4 steel cables \varnothing 1.5 mm and 4 circular chromed steel plates \varnothing 40 mm equipped with two holes for anchoring screws to the ceiling.

The products described in this data sheet are **CE marked**.



Available colors:

6046



Light blue

4086



Brick red

8007



Dark grey

4030



Carrot orange

4027



Red

8004



Silver grey

2005



Dove-grey

3008



Sun yellow

6075



Teal

0001



White

1008



Beige

7004



Light green

8002



Cool white

8033



Black



OVERSIZE LUX

Marc Sadler

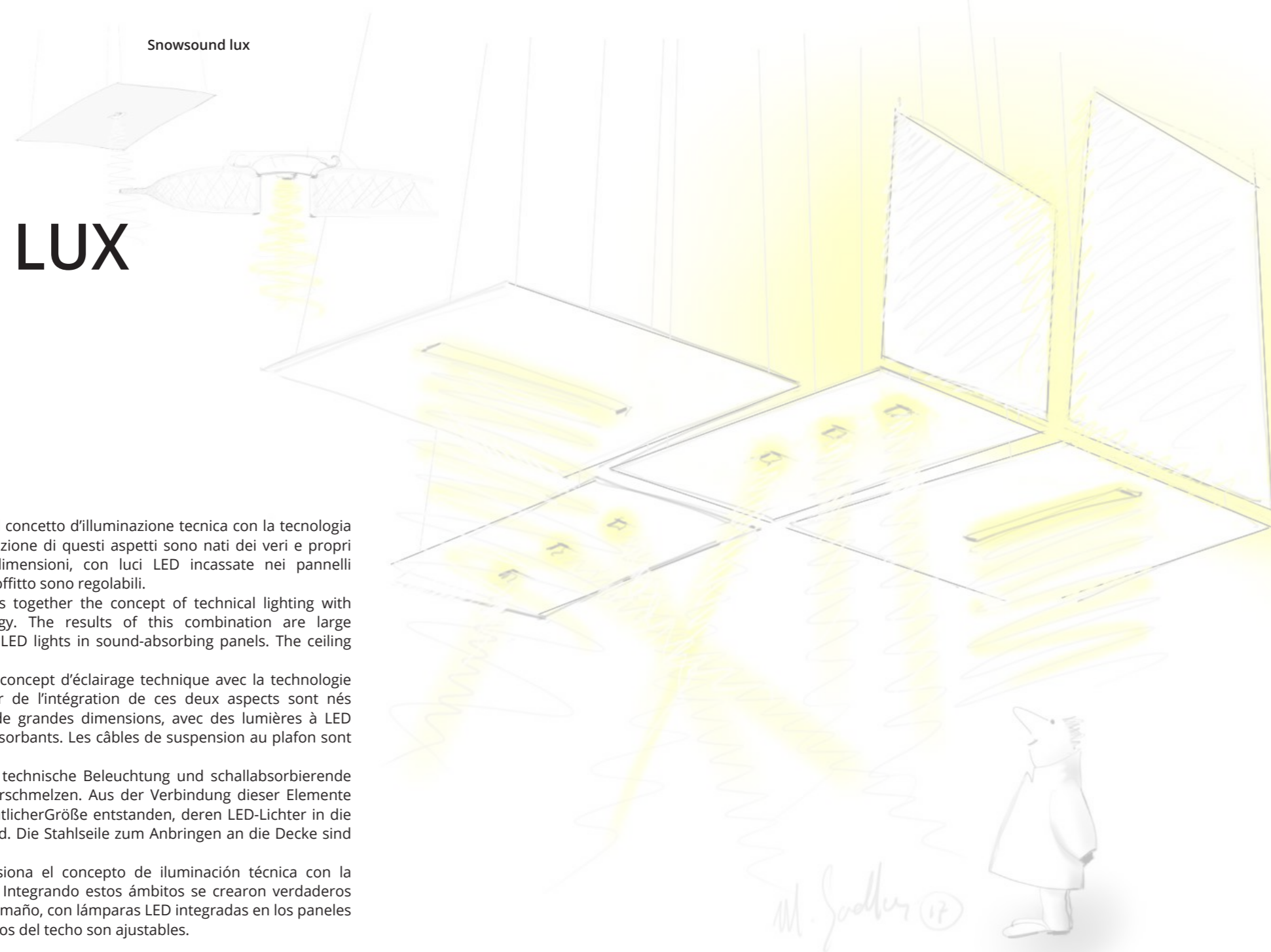
I_ Oversize lux è un progetto che fonde il concetto d'illuminazione tecnica con la tecnologia fonoassorbente Snowsound. Dall'integrazione di questi aspetti sono nati dei veri e propri componenti architettonici, di grandi dimensioni, con luci LED incassate nei pannelli fonoassorbenti. I cavi di sospensione a soffitto sono regolabili.

EN_ Oversize lux is a project that brings together the concept of technical lighting with Snowsound sound-absorbing technology. The results of this combination are large architectural elements that incorporate LED lights in sound-absorbing panels. The ceiling suspension cables are adjustable.

F_ Oversize lux est un projet qui unit le concept d'éclairage technique avec la technologie phono-absorbante Snowsound. A partir de l'intégration de ces deux aspects sont nés de véritables éléments architecturaux de grandes dimensions, avec des lumières à LED encaissées dans les panneaux phono-absorbants. Les câbles de suspension au plafond sont réglables.

D_ Oversize lux ist ein Projekt, bei dem technische Beleuchtung und schallabsorbierende Snowsound-Technologie miteinander verschmelzen. Aus der Verbindung dieser Elemente sind echte Architekturobjekte von beachtlicher Größe entstanden, deren LED-Lichter in die schalldämpfenden Paneele integriert sind. Die Stahlseile zum Anbringen an die Decke sind verstellbar.

E_ Oversize lux es un proyecto que fusiona el concepto de iluminación técnica con la tecnología fonoabsorbente Snowsound. Integrando estos ámbitos se crearon verdaderos componentes arquitectónicos, de gran tamaño, con lámparas LED integradas en los paneles fonoabsorbentes. Los cables para colgarlos del techo son ajustables.



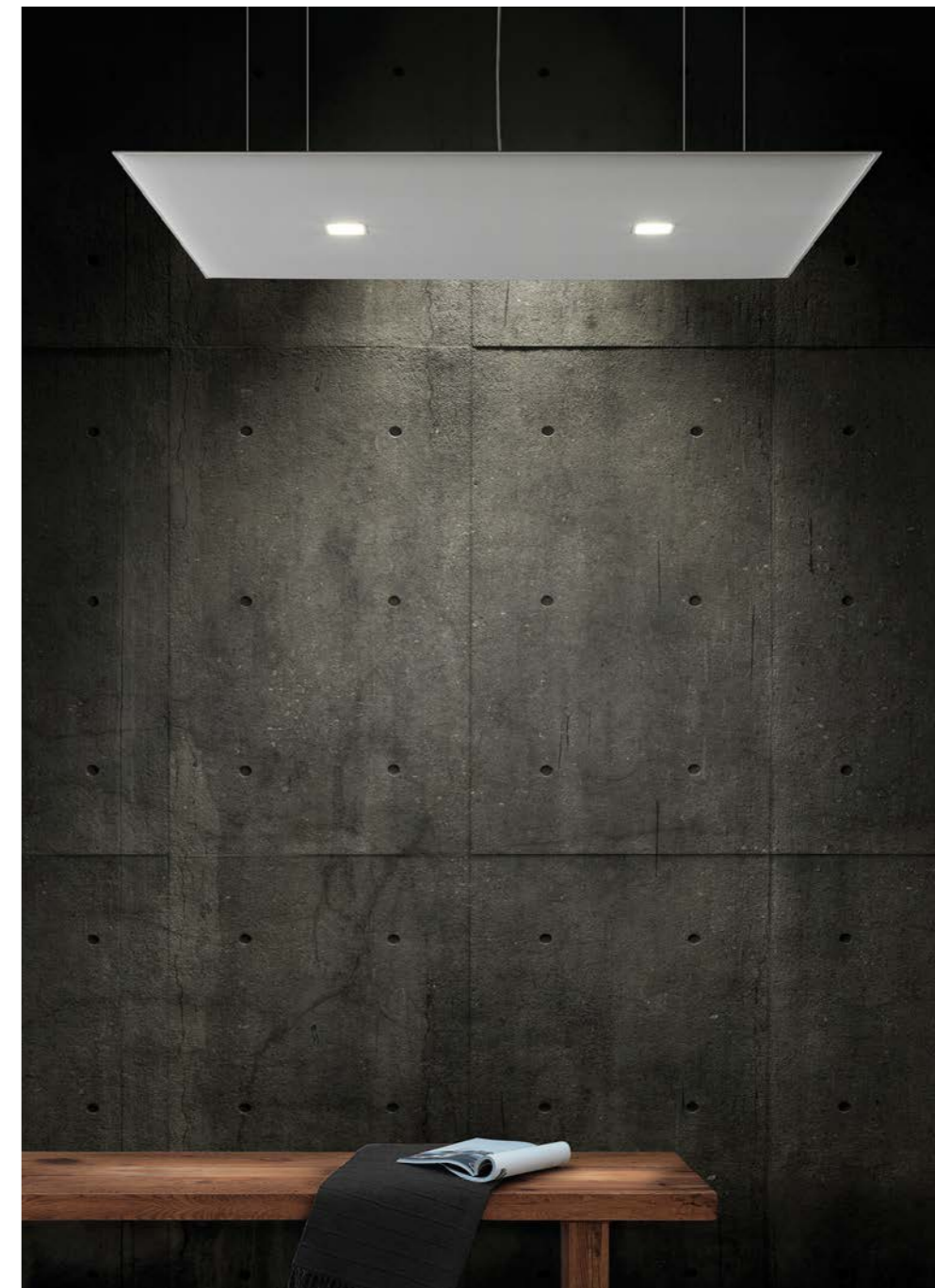
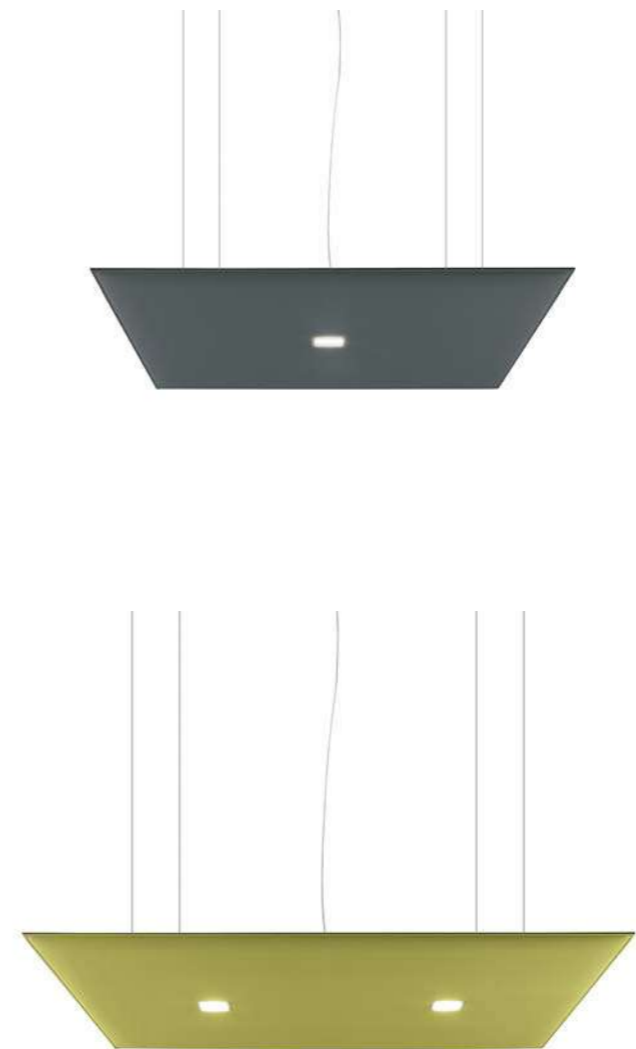
OVERSIZE LUX, Marc Sadler



Snowsound lux

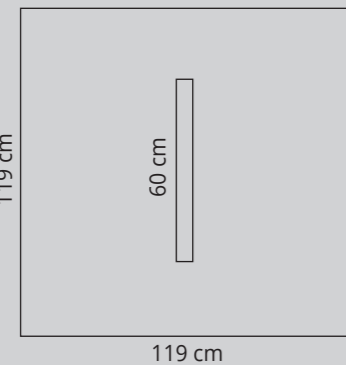
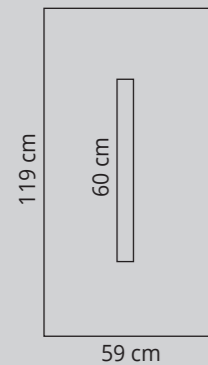


OVERSIZE LUX, Marc Sadler

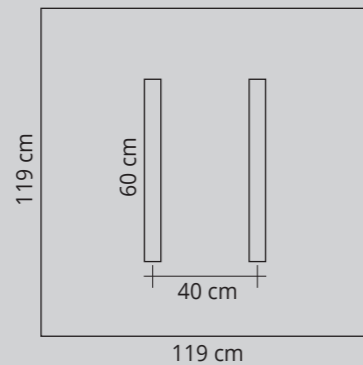


LED details

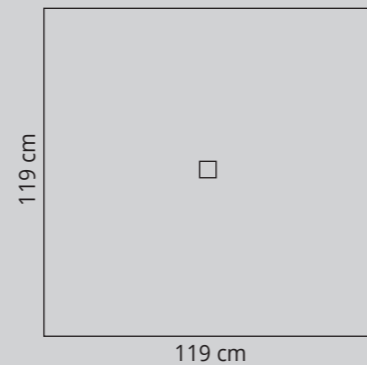
17,4 W - 3000 K / Dimmerable



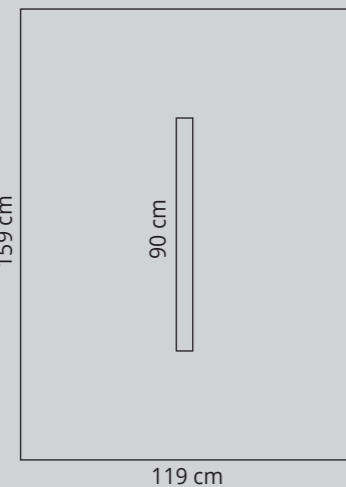
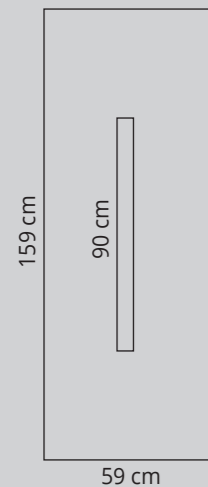
2x17,4 W - 3000 K / Dimmerable



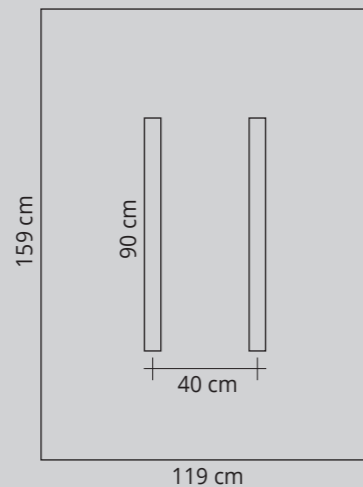
9,4 W - 3000 K



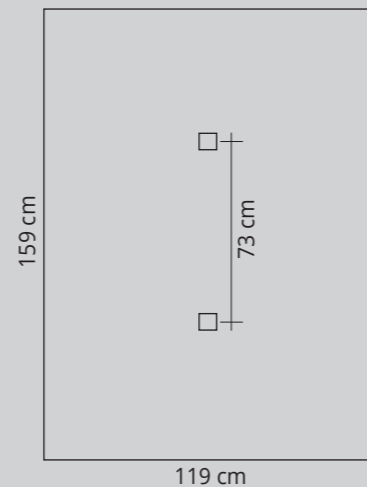
26,1 W - 3000 K / Dimmerable



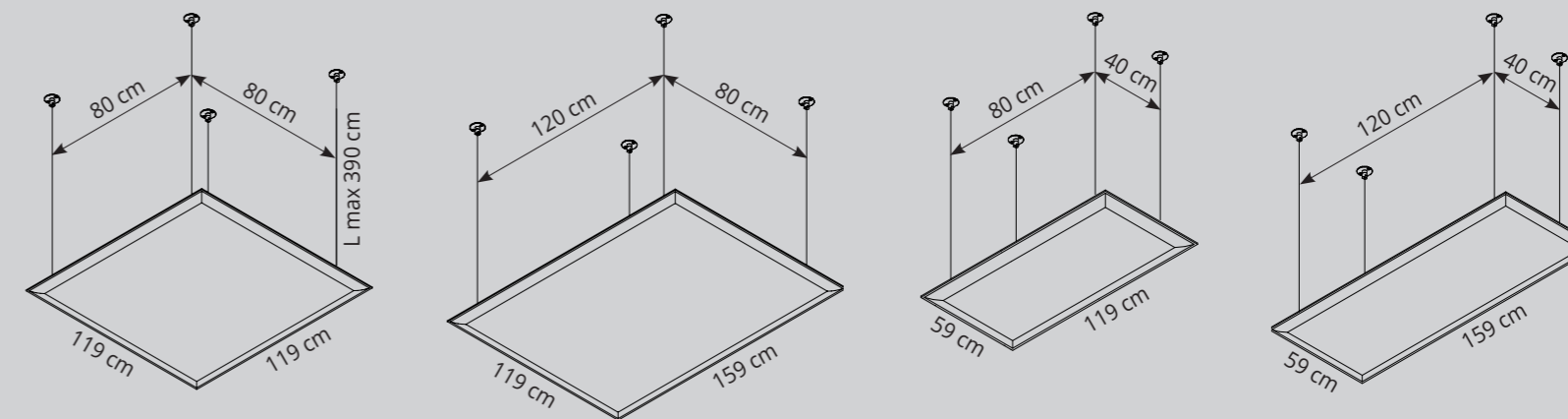
2x26,1 W - 3000 K / Dimmerable



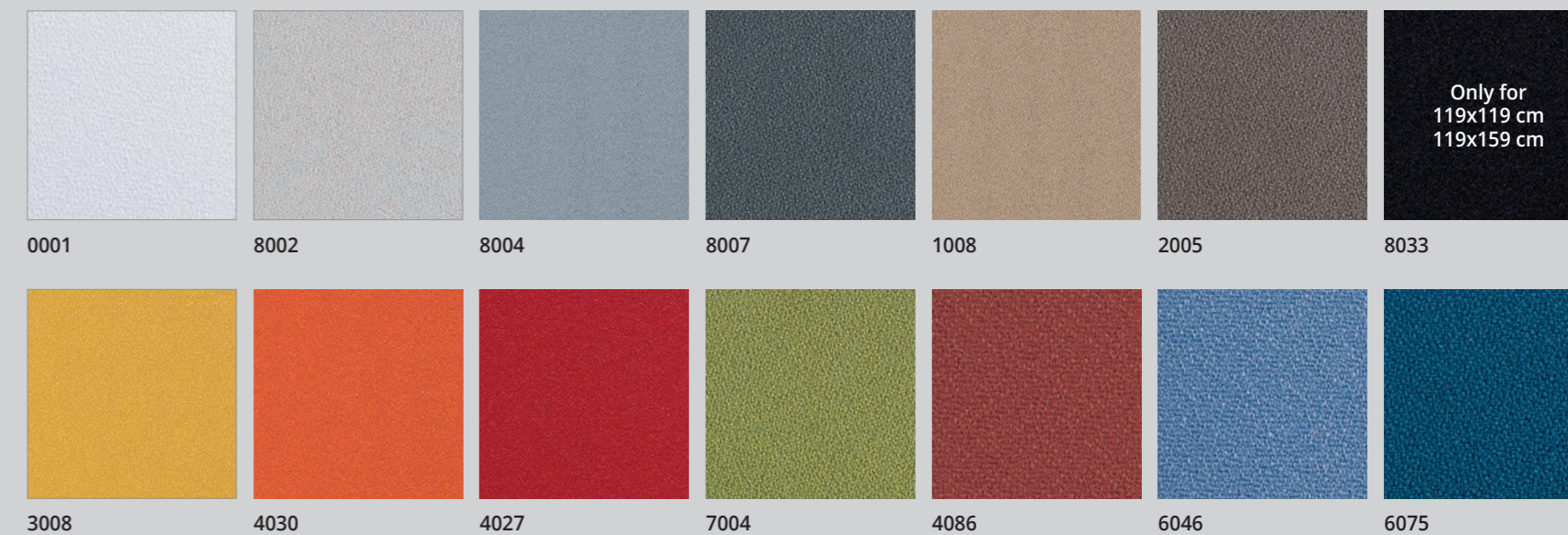
2x9,4 W - 3000 K



Dimensions

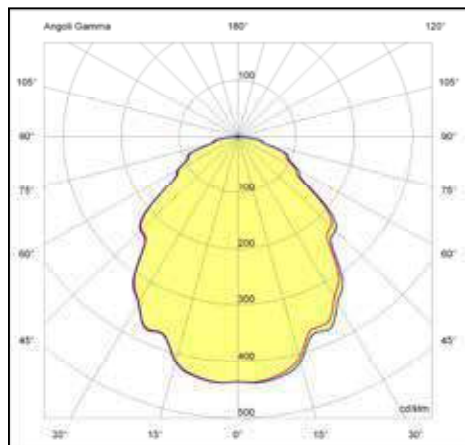


Finishes



LIGHTING ELEMENTS TECHNICAL CARD

Description: Fixture made from epoxy powder coated steel and equipped with one driver. Suitable for housing one recessed light provided with a high efficiency LED light source (9,4W power) with nominal flux 1440 lm (3000 K). Electrical three-wire cable 3x0,75 mm² lenght 390 cm included. Its degree of protection against the penetration of dust, solid objects and liquids is IP43.



Luminaire details

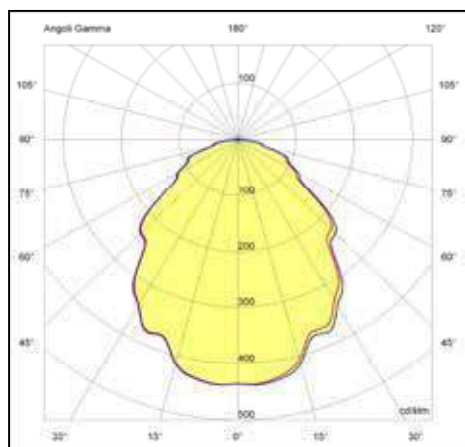
Supply voltage	220-240V 50-60Hz
Driver 280mA	included
Insulation class	CL I
IP number	IP43
Glow wire	850° C
Impact test	IK03
European standards	EN60598-2-1 EN60598-2-2 ; CEI 76-10 EN62471:2008, EN60825-1
Photobiological risk	RG0

Lamp details

Lamp	LED
Type	COB
CRI	>80
CCT	3000 K
SDCM	3
Luminous flux @65°C	1440lm
Power supply	280mA-33,5V
IEE	A++

All values refer to a single recessed light (spotlight).

Description: Fixture made from epoxy powder coated steel and equipped with two drivers. Suitable for housing two recessed lights provided with a high efficiency LED light source (9,4W power each) with nominal flux 1440 lm (3000 K). Electrical three-wire cable 3x0,75 mm² lenght 390 cm included. Its degree of protection against the penetration of dust, solid objects and liquids is IP43.



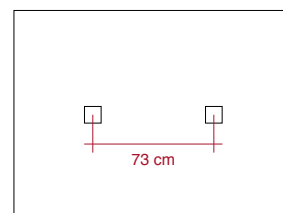
Luminaire details

Supply voltage	220-240V 50-60Hz
Drivers 280mA	included
Insulation class	CL I
IP number	IP43
Glow wire	850° C
Impact test	IK03
European standards	EN60598-2-1 EN60598-2-2 ; CEI 76-10 EN62471:2008, EN60825-1
Photobiological risk	RG0

Lamp details

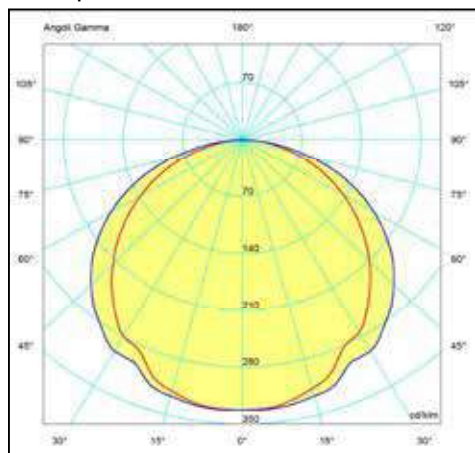
Lamp	LED
Type	COB
CRI	>80
CCT	3000 K
SDCM	3
Luminous flux @65°C	2x1440lm
Power supply	280mA-33,5V each
IEE	A++

All values refer to a single recessed light (spotlight).



LED LAMP L. 60 cm - NOT DIMMABLE

Description: Fixture complete with a high efficiency LED light source (17,4W power) with a nominal luminous flux of 2480 lm (3000 K). Structure made from steel. Recessed light made from epoxy polyester powder coated aluminium and equipped with an opal polycarbonate diffuser and driver. Electrical three-wire cable 3x0,75 mm² length 390 cm included. Its degree of protection against the penetration of dust, solid objects and liquids is IP40.



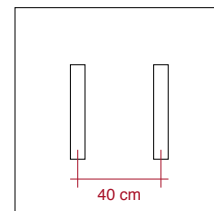
Luminaire details

Supply voltage	220-240V 50-60Hz
Driver 350mA	included
Insulation class	CL I
IP number	IP40
Glow wire	850°C
Impact test	n.d
European standards	EN60598-2-1 EN62471:2008, EN60825-1
Photobiological risk	RG0

Lamp details

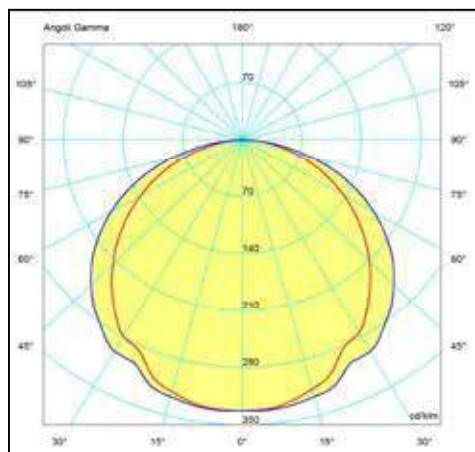
Lamp	LED
Type	linear module
CRI	>80
CCT	3000 K
SDCM	3
Luminous flux @65°C	2480lm
Power supply	350mA-45,1V
IEE	A++

All values refer to a single lamp.



LED LAMP L. 60 cm - DIMMABLE

Description: Fixture complete with a high efficiency LED light source (17,4W power) with a nominal luminous flux of 2480 lm (3000 K). Structure made from steel. Recessed light made from epoxy polyester powder coated aluminium and equipped with an opal polycarbonate diffuser and dimmable driver. Electrical five-wire cable 5x0,75 mm² length 390 cm included. Its degree of protection against the penetration of dust, solid objects and liquids is IP40.



Luminaire details

Supply voltage	220-240V 50-60Hz
Driver 350mA	included
Insulation class	CL I
IP number	IP40
Glow wire	850°C
Impact test	n.d
European standards	EN60598-2-1 EN62471:2008, EN60825-1
Photobiological risk	RG0

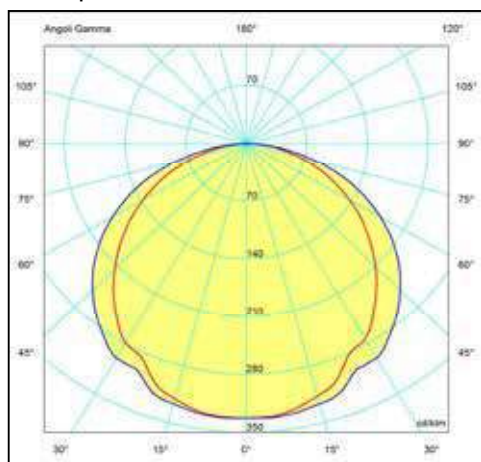
Lamp details

Lamp	LED
Type	linear module
CRI	>80
CCT	3000 K
SDCM	3
Luminous flux @65°C	2480lm
Power supply	350mA-45,1V
IEE	A++

All values refer to a single lamp.

LED LAMP L. 90 cm - NOT DIMMABLE

Description: Fixture complete with a high efficiency LED light source (26,1W power) with a nominal luminous flux of 3720 lm (3000 K). Structure made from steel. Recessed light made from epoxy polyester powder coated aluminium and equipped with an opal polycarbonate diffuser and driver. Electrical three-wire cable 3x0,75 mm² length 390 cm included. Its degree of protection against the penetration of dust, solid objects and liquids is IP40.



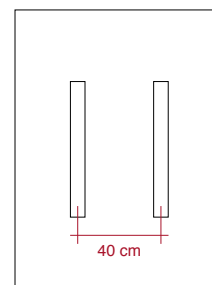
Luminaire details

Supply voltage	220-240V 50-60Hz
Driver 350mA	included
Insulation class	CL I
IP number	IP40
Glow wire	850°C
Impact test	n.d
European standards	EN60598-2-1 EN62471:2008, EN60825-1
Photobiological risk	RG0

Lamp details

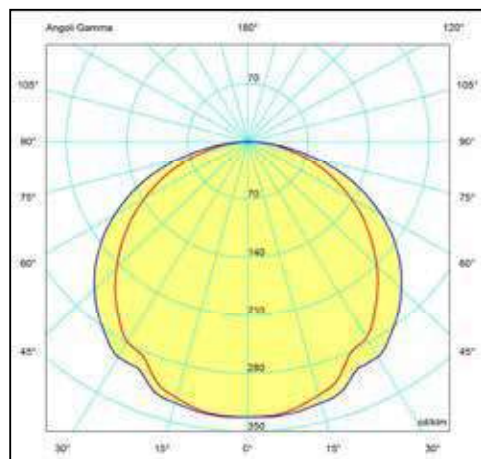
Lamp	LED
Type	linear module
CRI	>80
CCT	3000 K
SDCM	3
Luminous flux @65°C	3720lm
Power supply	350mA-67,6V
IEE	A++

All values refer to a single lamp.



LED LAMP L. 90 cm - DIMMABLE

Description: Fixture complete with a high efficiency LED light source (26,1W power) with a nominal luminous flux of 3720 lm (3000 K). Structure made from steel. Recessed light made from epoxy polyester powder coated aluminium and equipped with an opal polycarbonate diffuser and dimmable driver. Electrical five-wire cable 5x0,75 mm² length 390 cm included. Its degree of protection against the penetration of dust, solid objects and liquids is IP40.



Luminaire details

Supply voltage	220-240V 50-60Hz
Driver 350mA	included
Insulation class	CL I
IP number	IP40
Glow wire	850°C
Impact test	n.d
European standards	EN60598-2-1 EN62471:2008, EN60825-1
Photobiological risk	RG0

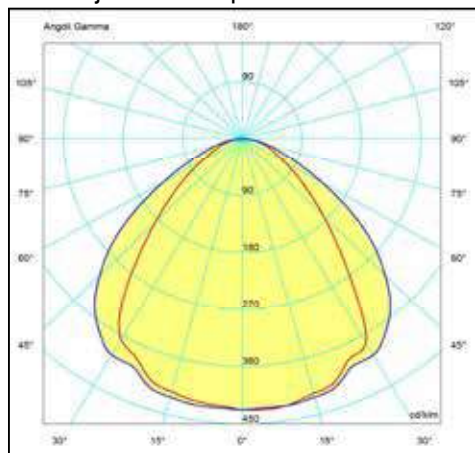
Lamp details

Lamp	LED
Type	linear module
CRI	>80
CCT	3000 K
SDCM	3
Luminous flux @65°C	3720lm
Power supply	350mA-67,6V
IEE	A++

All values refer to a single lamp.

LED LAMP L. 60 cm - NOT DIMMABLE WITH MICRO-PRISMATIC SCREEN

Description: Fixture complete with a high efficiency LED light source (17,4W power) with a nominal luminous flux of 2480 lm (3000 K). Structure made from steel. Recessed light made from epoxy polyester powder coated aluminium and equipped with a prismatic polymethyl methacrylate diffuser and driver. Electrical three-wire cable 3x0,75 mm² length 390 cm included. Its degree of protection against the penetration of dust, solid objects and liquids is IP40. UGR <19.



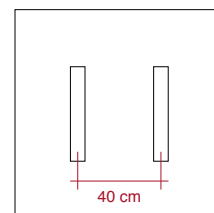
Luminaire details

Supply voltage	220-240V 50-60Hz
Driver 350mA	included
Insulation class	CL I
IP number	IP40
Glow wire	850°C
Impact test	n.d
European standards	EN60598-2-1 EN62471:2008, EN60825-1
Photobiological risk	RG0

Lamp details

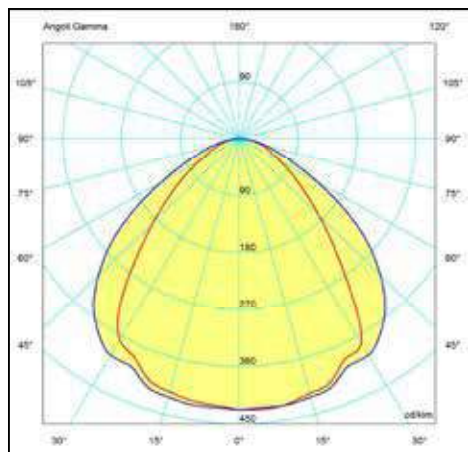
Lamp	LED
Type	linear module
CRI	>80
CCT	3000 K
SDCM	3
Luminous flux @65°C	2480lm
Power supply	350mA-45,1V
IEE	A++

All values refer to a single lamp.



LED LAMP L. 60 cm - DIMMABLE WITH MICRO-PRISMATIC SCREEN

Description: Fixture complete with a high efficiency LED light source (17,4W power) with a nominal luminous flux of 2480 lm (3000 K). Structure made from steel. Recessed light made from epoxy polyester powder coated aluminium and equipped with a prismatic polymethyl methacrylate diffuser and dimmable driver. Electrical five-wire cable 5x0,75 mm² length 390 cm included. Its degree of protection against the penetration of dust, solid objects and liquids is IP40. UGR <19.



Luminaire details

Supply voltage	220-240V 50-60Hz
Driver 350mA	included
Insulation class	CL I
IP number	IP40
Glow wire	850°C
Impact test	n.d
European standards	EN60598-2-1 EN62471:2008, EN60825-1
Photobiological risk	RG0

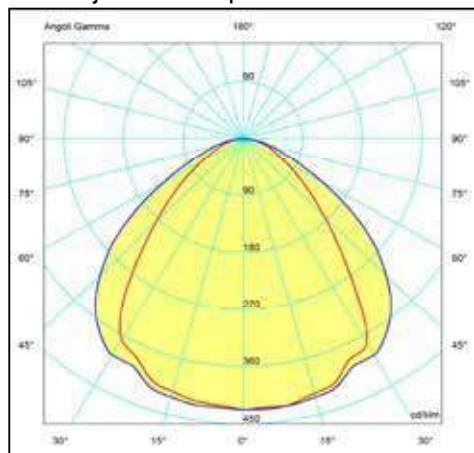
Lamp details

Lamp	LED
Type	linear module
CRI	>80
CCT	3000 K
SDCM	3
Luminous flux @65°C	2480lm
Power supply	350mA-45,1V
IEE	A++

All values refer to a single lamp.

LED LAMP L. 90 cm - NOT DIMMABLE WITH MICRO-PRISMATIC SCREEN

Description: Fixture complete with a high efficiency LED light source (26,1W power) with a nominal luminous flux of 3720 lm (3000 K). Structure made from steel. Recessed light made from epoxy polyester powder coated aluminium and equipped with a prismatic polymethyl methacrylate diffuser and driver. Electrical three-wire cable 3x0,75 mm² length 390 cm included. Its degree of protection against the penetration of dust, solid objects and liquids is IP40. UGR <19.



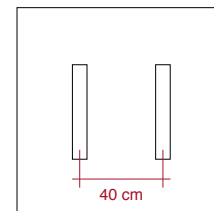
Luminaire details

Supply voltage	220-240V 50-60Hz
Driver 350mA	included
Insulation class	CL I
IP number	IP40
Glow wire	850°C
Impact test	n.d
European standards	EN60598-2-1 EN62471:2008, EN60825-1
Photobiological risk	RG0

Lamp details

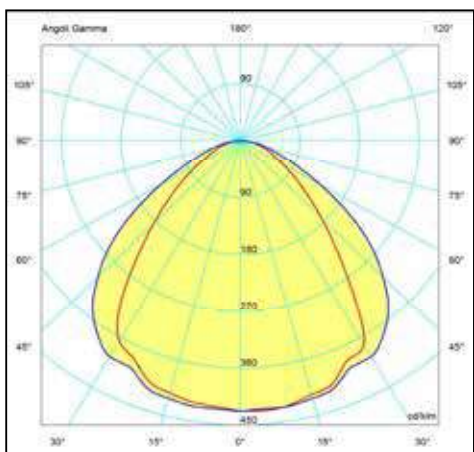
Lamp	LED
Type	linear module
CRI	>80
CCT	3000 K
SDCM	3
Luminous flux @65°C	3720lm
Power supply	350mA-67,6V
IEE	A++

All values refer to a single lamp.



LED LAMP L. 90 cm - DIMMABLE WITH MICRO-PRISMATIC SCREEN

Description: Fixture complete with a high efficiency LED light source (26,1W power) with a nominal luminous flux of 3720 lm (3000 K). Structure made from steel. Recessed light made from epoxy polyester powder coated aluminium and equipped with a prismatic polymethyl methacrylate diffuser and dimmable driver. Electrical five-wire cable 5x0,75 mm² length 390 cm included. Its degree of protection against the penetration of dust, solid objects and liquids is IP40. UGR <19.



Luminaire details

Supply voltage	220-240V 50-60Hz
Driver 350mA	included
Insulation class	CL I
IP number	IP40
Glow wire	850°C
Impact test	n.d
European standards	EN60598-2-1 EN62471:2008, EN60825-1
Photobiological risk	RG0

Lamp details

Lamp	LED
Type	linear module
CRI	>80
CCT	3000 K
SDCM	3
Luminous flux @65°C	3720lm
Power supply	350mA-67,6V
IEE	A++

All values refer to a single lamp.

SPECIFICATION

Range: **T-SYSTEM**
Design: **Marc Sadler**

Sound-absorbing element with “Snowsound Technology” suspended from the ceiling with cables, including light fitting.

Panel description::

Panel with both faces with a 36 mm thick convex section consisting of an internal padding in polyester fibre with variable density, decreasing towards the core of the panel, covered on both sides with Trevira CS® polyester fabric firmly applied to the padding. The panel is double-faced, with the same characteristics on both sides, and is characterised by the rigid edge obtained by machining the panel itself, without the presence of any supporting and stiffening frame. In the central part, the panel is die-cut to allow the interlocking of the lighting fixture.

The panel has an **Italian Class1** fire reaction and **Euroclass B-s2, d0**.

The panel is **Greenguard Gold** certified, which validates its low VOC emission and its contribution to the quality of the indoor environment.

The panel is **100% recyclable** and has no detectable formaldehyde content according to UNI EN 717-2. It does not contain felts or other organic materials that are hardly recyclable.

The panel has been tested in reverberation chamber according to UNI EN ISO 354 and obtained “**Acoustic Absorption Class A**”, in accordance with UNI EN ISO 11654.

Panel dimensions: 159x59 cm

Lighting element description:

LED lighting body, made of aluminium painted with epoxy powders, fixed to the panel by means of a shaped painted steel plate. The lighting body is inserted inside the panel via a special compartment and fixed to it by means of two plates.

(For LED lighting characteristics see ST.082S-0ENG).

Fixing kit description:

The fixing kit consists of: two shaped plates fixed to the panel by means of special screws, each equipped with a hole for fixing the illuminating body and two slots for attaching the suspension system; two balancing cables and two supporting cables joined together by means of a turned metal element. The supporting cables are fixed to the ceiling by means of a threaded adjuster, which allows height adjustment, and a cylindrical chromed metal sleeve.

The products described in this data sheet are **CE marked**.



Available colours:

0001



White

T-SYSTEM

Marc Sadler

Snowsound lux



I Elemento per illuminazione fonoassorbente realizzato con tecnologia Snowsound, con sorgente luminosa a LED da 45W particolarmente arretrata all'interno del profilo per ridurre l'abbagliamento diretto. Il corpo illuminante è realizzato in alluminio e sospeso a soffitto tramite due cavi regolabili in altezza.

EN A sound-absorbing unit made with Snowsound technology that is also a light fixture containing a 45W LED that is deeply recessed into the structure so as to minimize direct glare. The lighting element is made of aluminium and is suspended from the ceiling by means of two height-adjusting cables.

F Élément d'éclairage phono-absorbant réalisé avec la technologie Snowsound, avec source lumineuse à LED à 45W particulièrement en retrait à l'intérieur du profil pour réduire l'éblouissement direct. Le corps lumineux est en aluminium et est suspendu au plafond par des câbles à hauteur réglable.

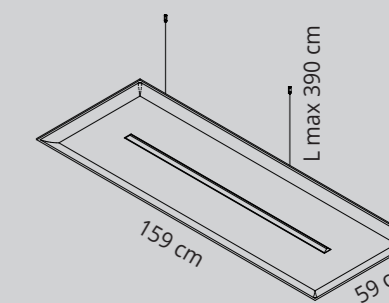
D Mit Snowsound-Technologie hergestelltes schallabsorbierendes Beleuchtungselement mit 45W LED-Lichtquelle, die besonders tief im Profil versenkt ist, um eine direkte Blendung zu vermeiden. Der Leuchtkörper ist aus Aluminium gefertigt und wird mit zwei höhenverstellbaren Seilen von der Decke abgehängt.

E Este elemento de iluminación fonoabsorbente incorpora la tecnología Snowsound. En el interior del perfil, la fuente de luz de LED de 45W se encuentra particularmente desplazada hacia atrás, a fin de que disminuya el deslumbramiento directo. El cuerpo de iluminación es de aluminio y se suspende del techo gracias a dos cables regulables en altura.

T-SYSTEM, Marc Sadler



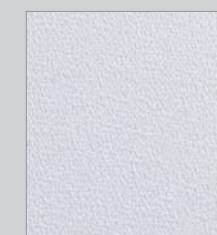
Dimensions



LED details

45 W - 3000 K

Finishes



0001

Snowsound lux

T-SYSTEM TRACK, Marc Sadler

T-SYSTEM TRACK

Marc Sadler



I Elemento per illuminazione fonoassorbente realizzato con tecnologia Snowsound, dotato di binario elettrificato 48V (con driver remoto) accessoriabile con corpi illuminanti in alluminio verniciato con sorgente luminosa a LED. Il sistema è sospeso a soffitto tramite due cavi regolabili in altezza.

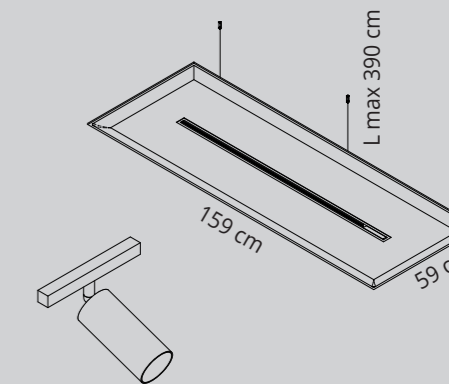
EN A sound-absorbing light fixture made with Snowsound technology, with a 48V electrified track (with remote driver) that can hold painted aluminium luminaires containing LED. The system is suspended from the ceiling by means of two height-adjusting cables.

F Élément d'éclairage phono-absorbants réalisé avec la technologie Snowsound, muni d'un rail électrique à 48V (avec commande à distance) avec possibilité d'ajouter des accessoires d'éclairage en aluminium peint avec source lumineuse LED. Ce système est suspendu au plafond avec deux câbles à hauteur réglable.

D Mit Snowsound-Technologie hergestelltes schallabsorbierendes Beleuchtungselement, ausgestattet mit einer 48-V-Stromschiene (mit Remote-Treiber), das mit Leuchtkörpern aus lackiertem Aluminium mit LED-Lichtquelle ausgestattet werden kann. Das System wird mit zwei höhenverstellbaren Seilen von der Decke abgehängt.

E Este elemento de iluminación fonoabsorbente incorpora la tecnología Snowsound. Consta de una guía con alimentación eléctrica de 48V (posee alimentador remoto), en la que se pueden montar accesorios, como cuerpos de iluminación de aluminio pintado, con fuente de luz LED. El sistema se suspende del techo gracias a dos cables regulables en altura.

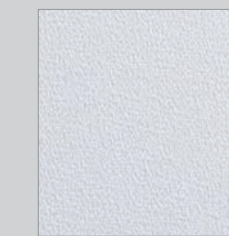
Dimensions



LED details

12 W - 48 V - 3000 K

Finishes



0001