

Wilkhahn

Yonda. 320 range.





Yonda.

The name says it all. Yonda stems from “beyond” because this piece of furniture really goes that extra mile. Neunzig° design studio reinterpreted the archetypal, spacious shell-structure chair to craft an innovative range that meets the needs of today’s and tomorrow’s world. Yonda’s a comfortable chair family with a whole host of design options for both homes and workplaces. But it doesn’t stop there. Its design, materials and surface finishes reflect the concept of a circular economy.

Design: neunzig° design

Models 320/30 at a 222/90 Occo table, 90 cm x 180 cm, design: jehs+laub

**Contemporary, comfortable and lots of choice**

Thanks to the sculptural-looking armrests that curve downward at the front, the biocomposite seat shell looks lightweight and dynamic despite its size. Even the version without upholstery is exceptionally comfortable. With a felt pad, seat cushioning or padding on the inside, it's even more so. If required, the seat cushioning also comes with a distinctive Y-shaped depression as a reference to the first letter of the range's name.

Models 320/10 and 320/11 at a 222/70 Occo table, 100 cm in diameter, design: jehs+laub



An addition to six colors and four upholstery options for the seat shell, four frame variants make the chair a versatile piece of furniture. The choice ranges from an appealing four-leg frame made of solid wood, or robust tubular steel all the way to the stylish four-star base to five-star base on casters including precision-adjustable height. For extra dynamic comfort, the two last variants also offer optional 3D rocking capability. Yonda is ideal for dining rooms, cafeterias, meeting rooms, home offices or an upholstered, bench-type workspace.

Models 320/01 and 320/02 at a 440/00, 300 cm x 100 cm Confair folding table, design: Andreas Störiko



Responsibility from the very start

What's increasingly becoming a mainstream concern today, has been an integral part of Wilkhahn's corporate culture for decades. Back in 1989, the supervisory board opted to place ecological considerations over fast profits and triggered a fundamental ecological shift. It turned Wilkhahn into an environmental pioneer in the furniture industry worldwide, which won it the German Environmental Prize and many others. Which is why durability, versatility, efficient use of materials and repair capabilities enjoyed top priority during the development of Yonda. What's more, the team used materials that were organic and renewable, or man-made but recyclable.

Models 320/21 and 320/22 at a Contas table configuration, 450 cm x 90 cm in size, consisting of 2 x 540/25 models and a 541/25 connecting leaf model, design: wiege, Fritz Frenkler, Anette Ponholzer; on the left, Insit, model 783/55, design: Wolfgang C. R. Mezger, and a 222/72 Occo table, 90 cm diameter, design: jehs+laub



The **seat shell** is made in Germany. It consists of an innovative biocomposite, optionally through-dyed in six, food-safe colors. Some 70% of the material consists of post-consumer recycled polypropylene and 30% locally sourced waste wood. The two are combined to produce a solid, durable but elastic material. It stands apart for its high-quality aesthetic and consistent surface with subtle speckles showing the particles of wood. After a long period in use, it can be turned back into granules to make new products without any quality loss.

The optional **felt pad** is made of pure wool, the adhesive-free seat upholstery of plywood and polyurethane molded foam (PUR) and the replaceable, thin **upholstery element** is also made of biocomposite granules.



The frames are easy to repair or replace and can be recycled. These are produced from FSC-certified, oiled oak wood, solvent-free, coated tubular steel or chrome-plated using the environmentally friendly chromiumIII process, or of either coated or ultra polished die-cast aluminum with a stainless steel, swivel-mounted column. The materials are either renewable, or part of a closed-loop recycling process.



People who also want sustainable **fabric covers** can choose re-wool, a renewable wool fabric, 45% of which is recycled from industrial waste. Oceanic is a particularly hard-wearing cover made of synthetic fibers. It consists of recycled synthetic fibers, 50% of which come from the plastic debris floating in our oceans.



As a result, Yonda underscores our standing as a design and environmental pioneer. We combine first-class seating-furniture design for a diverse range of office spaces and homes with seminal materials and processes that boost an eco-friendly circular economy.

Yonda. 320 range. Overview of models.

Wilkhahn



320/10
Multipurpose chair with a tubular steel frame, without upholstery, with a felt pad



320/12
Multipurpose chair with a tubular steel frame, padding on the inside



320/20
Multipurpose chair with a solid wood base frame, without upholstery



320/31
Visitor chair, swivel-mounted on casters, with a four-star base, seat cushioning



320/32
Visitor chair, swivel-mounted with a four-star base frame, with padding on the inside,



320/00
Task chair, swivel-mounted on casters, height-adjustable, without upholstery

Yonda. 320 range. Types of upholstery.

Wilkhahn



320/10
without upholstery



320/10
with a felt pad



320/11
with seat cushioning

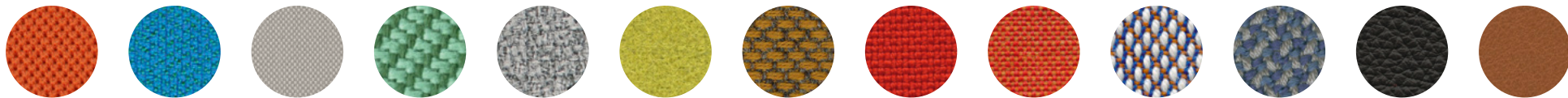


320/11
with seat cushioning with a
Y-shaped depression



320/12
with padding on the inside

Upholstery materials



37 Racer | 38 Era | 47 Nova | 51 Oceanic | 54 Pitch | 60 Blend | 65 Re-wool | 66 Lona | 68 Kvadrat Remix 2 | 91 Kvadrat Steelcut Trio 3 | 92 Credo | 74 Leather | 87 Leather
You can find additional colors in our media center.

Yonda. 320 range. Shell colors and frame versions.

Wilkhahn



320/10
Multipurpose chair, tubular steel frame, bright chrome-plated



320/12
Multipurpose chair, tubular steel frame, coated gray with a textured matte finish



320/20
Multipurpose chair, solid wood base frame, Oak, oiled



320/31
Visitor chair, swivel-mounted, four-star base made of die-cast aluminum, casters



320/32
Visitor chair, swivel-mounted, four-star base made of die-cast aluminum, glides



320/00
Task chair, height-adjustable, five-star base made of die-cast aluminum, casters

Shell colors and frame surfaces (steel, aluminum)



Black, cream white, gray, gray-beige, emerald green, sienna red

Additional frame surfaces: Bright chrome-plated tubular steel, high-luster polished aluminum, oiled oak.

Yonda. 320 range. Accessories.

Wilkhahn



Models 320/10 with a felt pad

For areas that get dirty easily, such as cafeterias, we recommend the non-slip felt pads, which are easy to remove and clean.

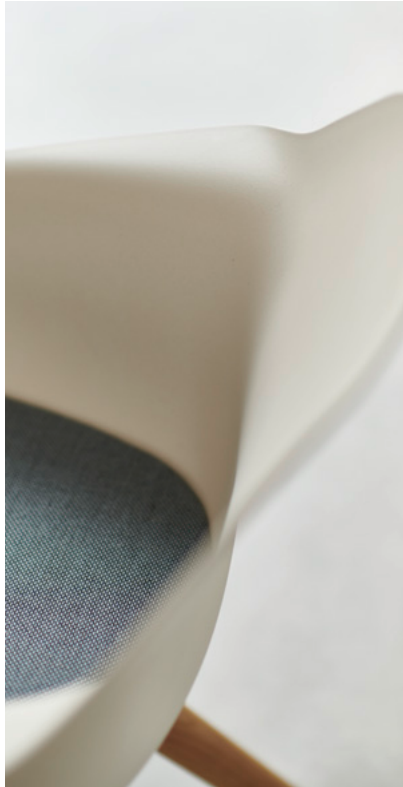


3D suspension for models with four- and five-star bases

It could hardly be more simple or effective – the three-dimensional rocking feature for models 320/30, 320/31, 320/32 und 320/00, 320/01, 320/02

Yonda. 320 range. Features in more detail.

Wilkhahn



The slight backward tilt of the shell in conjunction with the sloping lines of the armrests lend Yonda a contemporary yet dynamic appearance.



The cross-section of the tapered legs, which splay out, is a semi-oval shape. As a result, it almost looks like a piece of wood that's been molded into shape.



At the rear, the tubular steel frame's legs resemble an animal's hind legs, creating a delicate yet dynamic look.



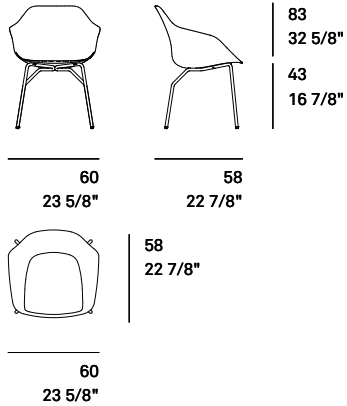
The optional Y-shaped depression is a reference to the first letter of the chair's name.



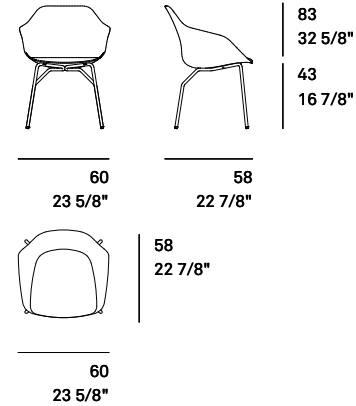
Thanks to its rocking capability and height-adjustable gas lift, Yonda's the definition of a chair for the workplace.

Wilkhahn

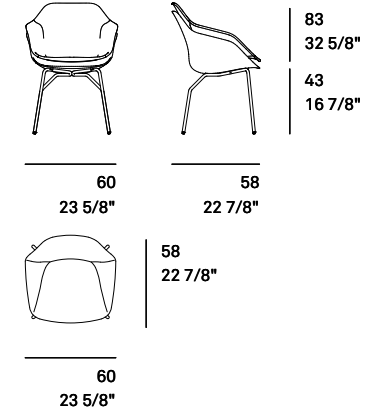
320/10



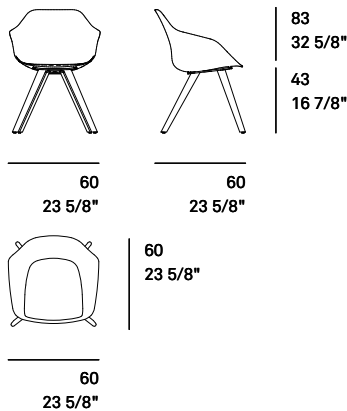
320/11



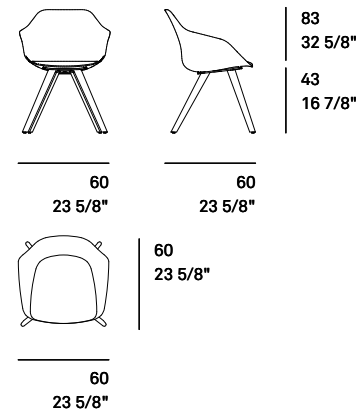
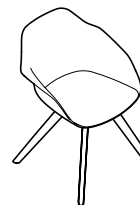
320/12



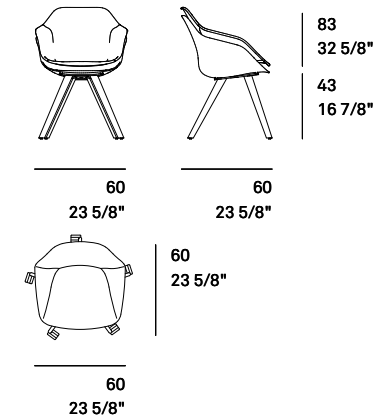
320/20



320/21

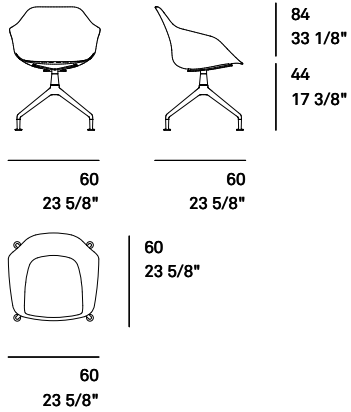
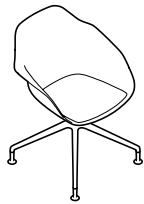


320/22

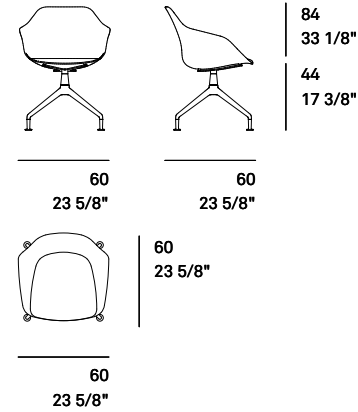


Wilkhahn

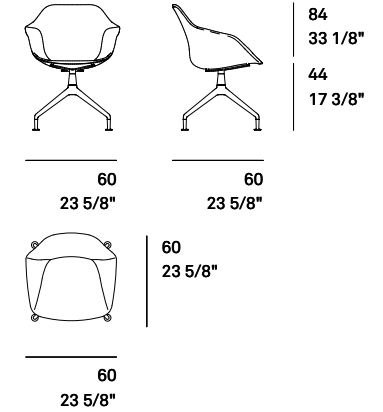
320/30*



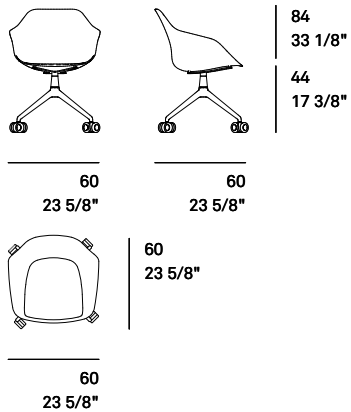
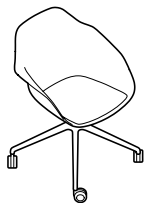
320/31*



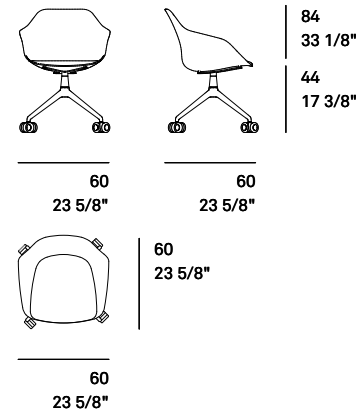
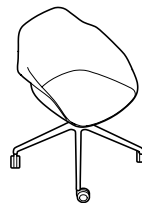
320/32*



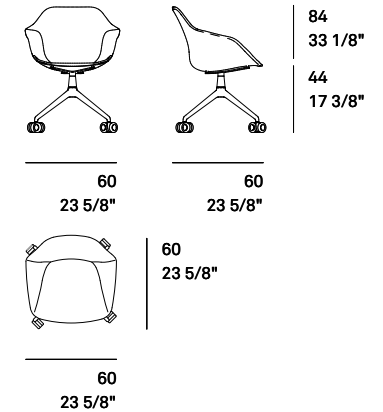
320/30*



320/31*



320/32*

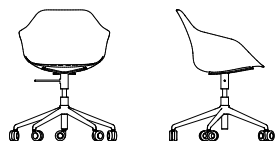


* The height and depth of models with rocking capability can vary slightly when nobody's sitting on them due to the slight backward tilt of the seat shell.

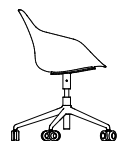
All sizes in metric and imperial measurements. Subject to change.

Wilkhahn

320/00*



67
26 3/8"



67
26 3/8"

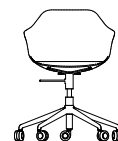
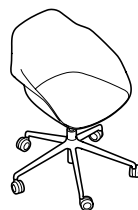
81/91
31 7/8" / 35 7/8"
41/51
16 1/8" / 20 1/8"



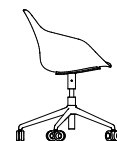
67
26 3/8"

67
26 3/8"

320/01*



67
26 3/8"



67
26 3/8"

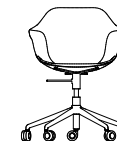
81/91
31 7/8" / 35 7/8"
41/51
16 1/8" / 20 1/8"



67
26 3/8"

67
26 3/8"

320/02*

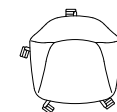


67
26 3/8"



67
26 3/8"

81/91
31 7/8" / 35 7/8"
41/51
16 1/8" / 20 1/8"



67
26 3/8"

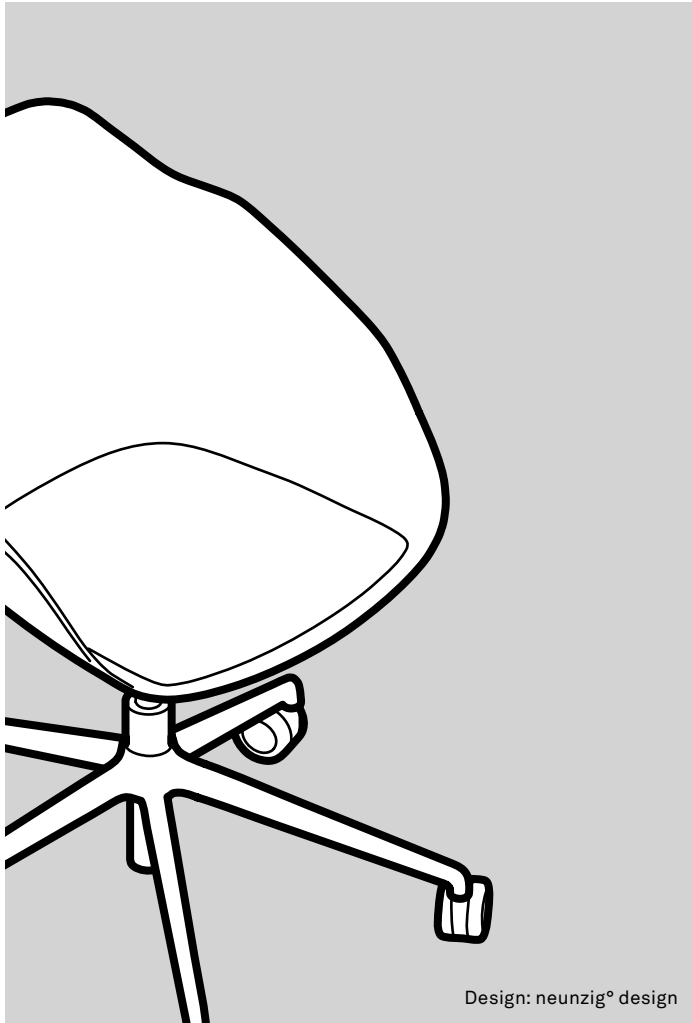
67
26 3/8"

* The height and depth of models with rocking capability can vary slightly when nobody's sitting on them due to the slight backward tilt of the seat shell.

All sizes in metric and imperial measurements. Subject to change.

Yonda. Programm 320. Technical details.

Wilkhahn



Design: neunzig° design

Technical details

Function

A versatile and exceptionally sustainable shell-structure chair range with various frame and upholstery options for meeting rooms, cafeterias, restaurants, hotel rooms and dining rooms in homes.

Frame

Four-leg frames models 320/10, 320/11, 320/12

Tubular steel frame with textured matte finish, coated in black, cream white, gray, gray-beige, emerald green, sienna red or with bright chrome plating (with environmentally friendly chromiumIII oxide). With multipurpose glides made of glide-friendly, black PA 6 (with Teflon) for soft and hard floorings. For sensitive flooring, please order with felt insert (at no additional charge).

Solid wood four-leg frame, models 320/20, 320/21, 320/22

Seat bearer made of steel plate with round steel coated in black with a textured matte finish (RAL 9011) to fit the seat shell onto, as well as for the four legs made of FSC-compliant solid oak with an oiled oak finish. With multipurpose glides made of glide-friendly, black PA 6 (with Teflon) for soft and hard floorings. For sensitive flooring, please order with felt insert (at no additional charge).

Four-star base, models 320/30, 320/31, 320/32

Four-star base made of die-cast aluminum, coated with a textured matte finish in black cream white, gray, gray-beige, emerald green, sienna red, or high-luster polished, with a concealed, in-built, swivel-mounted column made of two-part round steel tubing, coated black, optionally with a reset mechanism. Seat bearer made of molded flat steel with tapered steel connecting joint, coated in black with a textured matte finish (RAL 9011) or color-matched with the shell in a textured matte finish (additional charge). Optionally with a three-dimensional rocking mechanism made of springy flat steel in black with a textured matte finish (RAL 9011) or color-matched with the shell in a textured matte finish (additional charge).

With steel base glides coated black with a textured matte finish (RAL 9011), color-matched with the shell in a textured matte finish (additional charge) with an integrated gliding surface made of Teflon-coated rubber for hard and soft floors, optionally with a felt insert for sensitive floors.

Optionally with twin-wheel swivel casters with load-dependent braking, made of black polyamide compliant with DIN EN 12529 as the standard version for carpets; with gray soft polyurethane tire for hard floors.

Wilkhahn

Five-star base, models 320/00, 320/01, 320/02

Five-star base in die-cast aluminum, coated with a textured matte finish in black, cream white, gray, gray-beige, emerald green, sienna red or high-luster polished, with a gas lift with precision-adjustable height, bright chrome-plated or coated black with lever made of steel rod, coated black. Seat bearer made of molded flat steel with cylindrical connecting joint, coated in black with a textured matte finish (RAL 9011) or color-matched with the shell in a textured matte finish (additional charge). Optionally with a three-dimensional rocking mechanism made of springy flat steel in black with a textured matte finish (RAL 9011) or color-matched with the shell in a textured matte finish (additional charge). Twin-wheel swivel casters with load-dependent braking, made of black polyamide compliant with DIN EN 12529 as the standard version for carpets; with gray soft polyurethane tire for hard floors.

Seat and backrest

Unitary, ergonomically shaped seat shell with armrests, consisting of a recyclable biocomposite (70% post-consumer recycled polypropylene, 30% waste wood fibers) food-safe, through-dyed and optionally in black, cream white, gray, gray-beige, emerald green or sienna red. Models without upholstery optionally have a felt seat cushion with non-slip coating in anthracite, a light mottled hue, anthracite, graphite, mango, verde, deep water. Models 320/11, 320/21, 320/31 and 320/01 with seat cushioning as a replaceable, covered upholstery element made of molded plywood with molded foam made of CFC-free polyurethane foam, optionally with contoured upholstery (Y-shaped depressions). Models 320/12, 320/22, 320/32 and 320/02 with padding on the inside as a replaceable, covered inside shell made of recyclable biocomposite (70% recycled polypropylene, 30% waste wood fibers) with molded foam made of CFC-free polyurethane foam. Leather covers have extra seat cushioning.

Please note

To ensure quality is maintained, we don't offer white leather (74/72). All other standard leather colors are possible. When exposed to ultra violet rays for long periods of time, the colors of biocomposite shell can change slightly. The subtle speckles, typical of the material, indicate the sustainable nature of the material and do not constitute grounds for complaint.

The same applies to any slight differences in color when Yonda is combined with seat shells made of biocomposite material and other chair models with seat shells made of polypropylene. There can also be slight differences in color between the biocomposite shell and the coated frames.

Felt is a natural product. Therefore, the color can differ. These differences are not grounds for complaint but underscore the material's uniqueness.

Yonda. Environment and product.



Yonda – versatile, comfortable and sustainable.

Wilkhahn collaborated with neunzig° design studio to develop a range that reinterprets the traditional shell-structure chair so that it can handle the demands of tomorrow's world. Yonda is a range with lots of design options. It blends in seamlessly with an array of settings in living spaces, home offices, cafeterias all the way to meeting rooms. Yonda is just as comfortable as it is sustainable. Because, when developing the chair, the emphasis wasn't solely on ensuring it would last and could be repaired. The materials it's made of can be recycled or are renewable. The team wanted to ensure that materials were renewable or could be recycled as part of a circular economy. The timeless aesthetic is another reason why the chair's destined to last and last. The sculptural armrests that slope gently downward at the front and the seat shell with its 10° backward tilt are seamless parts of the shell's contour. Therefore, the chair can be placed closed to the table edge. The unitary seat shell is made of food-safe, recyclable biocomposite, 70% of which consists of post-consumer recycled polypropylene and 30% of locally sourced waste wood. These two are combined to produce a material that's just as solid as it is elastic. The shell is available in six colors and has subtle speckles, typical of the material and its sustainable origin. The shell's pleasant comfort can be enhanced even further. Customers can choose between a wool felt pad or replaceable seat cushioning with a plywood upholstery element enclosed in

PUR molded foam without any adhesive. Or padding on the inside in the form of a slender shell as a replaceable upholstery element with polyurethane padding made of the same biocomposite.

Yonda offers exceptionally sustainable fabric covers made of wool fabric (Re-wool), or synthetic fibers (Oceanic). Some 45% of re-wool is made of waste wool and renewable wool. Oceanic is made entirely of post-consumer, recycled polyester, with 50% from SEAQUAL® yarns, which are produced from plastic debris floating in our oceans.

Mono-fraction sorting, recyclability and repair friendliness were top priorities for the frames too. The solid oak legs are crafted from FSC-compliant timber. The tubular steel frames are powder-coated without solvents or bright chrome-plated in an eco-friendly chromiumIII process. The aluminum star bases are also powder coated and ultra polished.

In homes or in offices, Yonda has the outstanding aesthetic, comfort and versatility of a shell-structure chair that's made to last.

Milestones of socio-ecological development at Wilkhahn

- 2019 and 2020 Presented with the Architects' Darling Award as a winner of the cradle-to-cradle challenge
- 2018 Wilkhahn receives the B.A.U.M. environmental prize and an award from the Lower Saxony Alliance for Sustainability.
- 2013 The company is connected to the district heating grid of a biogas plant nearby
- 2012 The ON office chair is presented with the Federal Ecodesign Award
- 2009 Wilkhahn signs a framework agreement with German trade union BHI (Building and Woodworkers International) on worldwide compliance with core ILO labor standards at Wilkhahn and its suppliers via in-house controls and external monitoring by German trade union IG Metall.
- 2008 A combined heat and power plant based on renewables is commissioned.
- 2001 First company in the state of Lower Saxony with EMAS 2 European environmental standard certification.
- 2000 Publishes one of the first medium-sized business reports on sustainability
- 1997 Corporate Conscience Award from the Council on Economic Priorities, New York
- 1996 German Environmental Prize from the German Environmental Foundation
- 1992 The first ecologically designed production facilities with a photovoltaic roof and launch of the first office chair range to be developed based on the ecological design concept.
- 1989 Mission statement on ecological changes at Wilkhahn: "The administrative and management board have jointly decided to take ecological concerns seriously and to place greater emphasis on them than a quick profit".

Wilkhahn

Yonda. Product responsibility.

Wilkhahn

Our antidote to the throw-away society is to provide products where form, function and materials have a purpose and are long lasting. Our product responsibility concept therefore follows well-defined guiding principles.



1. Avoid waste – “the longer and better”

is the remit to our product development team. We achieve this thanks to:

- useful innovations that make life easier and more pleasant in the long term;
- durable quality of materials, surfaces and technical solutions, which guarantees quality, even years later;
- distinctive, timeless and appealing designs with the potential to become classics;



2. Reduce – “less is more”

is more than just a design principle to us, it means:

- we cut down on the materials used in order to make handling easier and to preserve resources;
- we use energy in manufacturing efficiently, for example by drawing on district heating and heat recovery in manufacturing;
- we reduce emissions, by utilizing solar power and climate-neutral energy sources (cutting CO₂).



3. Recover – “Reuse + Recycle”

In this case, the goal is to continue to use the whole product or parts of it and recycle it at the end:

- Because the products are modular, expendable parts can be exchanged and features added or retrofitted (e. g. armrest types, covers, cushions, surfaces).
- Connecting points in the product can be dismantled for easy repair.
- Where possible, we use pure materials that are marked as such, making them ideal for recycling.



4. Fairness – responsibility all along the line

At Wilkhahn, environmental and social responsibility have an equal weighting. Health and safety, training, active participation by and fair pay for employees are integral to our corporate culture. As a result, we actively encourage our suppliers and customers worldwide to improve working conditions. Which is why Wilkhahn joined Global Compact and signed an international framework agreement with the International Labor Organization (ILO) on global recognition and fostering of employee interests.

Yonda. Environmental product information.

Guiding principles.

Honest product design

We strive to develop durable products, increase their utility value and reduce waste. "Less is more" or "reduce to the max" are principles that Wilkhahn constantly reinterprets for the future. Ecological design guidelines are integral components of Wilkhahn product development.

A spirit of fairness

We focus on people. This implies a collaborative management style which sees employee representatives as co-managers who help shape the company. The workforce's participation in the company's success, the development of new styles of working with semi-autonomous groups and project work, as well as an established health-management system are expressions of Wilkhahn's social approach.

Ecological responsibility

Wilkhahn supports sustainable development. The balance we seek to strike between financial, ecological, social and cultural objectives in order to maintain independence defines Wilkhahn's corporate culture. Compliance with ecological quality criteria throughout the product life cycle is one of the ways we gauge our own success.

Responsibility from the very start – Wilkhahn's environmental product information.

The environmental impact of all Wilkhahn products throughout their whole product lives, which includes production of the feedstock, manufacture, use and disposal of the products, was assessed based on a life-cycle analysis (LCA).



Materials

Socio-ecological assessment of the production of the feedstock, the procurement process, the materials used and their characteristics.



Production

Socio-ecological assessment of the production and assembly processes by environmental-management and social-audit systems.



Product use

Socio-ecological assessment of the product utility phase regarding: Design, ergonomics, durability, customer service, availability of spare parts.



End of the product life-cycle

Socio-ecological assessment of the product after the end of its useful life: Disassembly and recycling capabilities, disposal and product take-back.

Wilkhahn

Yonda. Environmental product information.

Wilkhahn



Materials.

International product and material standards.

During all phases of a product's development, we're demanding when it comes to the characteristics of our products, the quality of the materials and components, as well as the standard of our craftsmanship. Therefore, Wilkhahn products fulfil all relevant international office-furniture standards in terms of durability, safety and ergonomics. And what's more, many Wilkhahn products have also been awarded the GS symbol which rates them as being safe and as suitable for interiors as specified by Greenguard™. The materials Wilkhahn uses such as fabrics, leather, wood, plastics or metals are primarily made by highly specialized suppliers. Our product-development department specifies the technical and aesthetic characteristics that these materials have to fulfil. Our specifications on for example strength, color-fastness, durability and other characteristics that affect the quality of our products are clearly outlined by international material standards. Rules of thumb are as follows:

- The fabrics and leather used by Wilkhahn are low on emissions and help to provide good air quality in buildings and working environments;
- Wherever possible, Wilkhahn works with ecological upholstery fabrics, such as wool fleeces, cork and coconut fiber;
- All Wilkhahn polyurethane foam is free of CFCs and has no halogenated flame retardants. This helps protect the climate and is important for recycling capabilities at a later date. Nevertheless, Wilkhahn products can also fulfil special requirements as regards fire safety in public buildings, for example by applying flame-retardant upholstery fabrics. Additional flame-retardant materials are only added if required by our customers' stringent fire safety regulations.
- The powder-coated metal finishes of the table and chair frames are hard-wearing and made without any solvents or heavy metal.
- Chrome-plated metal finishes have no harmful chrome compounds (as specified in EN 71-3).

Wilkhahn attaches huge importance to the fact that its products and the associated materials, procedures and processes are responsible in social and ecological terms. Therefore, integrated audits help us check that our partners in the Wilkhahn supply chain comply with these aspects too. We check the quality of our products by inspecting incoming goods according to established criteria. Before processing, our materials are scrutinized and the finished results checked again by trained staff before forwarding to the next department.

Yonda. Environmental product information.

Wilkhahn



Production.

Integrated management system

Wilkhahn headquarters in Bad Münde (Germany) are EMAS-validated and certified to ISO 14001. Wilkhahn supports relevant certification on the part of its suppliers. Wilkhahn's main production site is certified to ISO 9001. In selecting suppliers, comprehensive and proper quality management are very important to Wilkhahn.

Water conservation, material management and sustainable energy production

Water is becoming an increasingly important resource. Wilkhahn is pulling out all the stops to minimize water consumption during production and to ensure water quality is not impaired.

By treating and recycling process water, the quantities of waste water considered hazardous have been cut by 80 percent. The Wilkhahn waste management concept includes sorting waste selectively, as well as recycling and disposing of all waste fractions resulting from the production and management departments.

All Wilkhahn production facilities ensure compliance with labor and social responsibility standards, as required by the ILO (International Labor Organization). Our partnership with suppliers is based on compliance with this agreement.

Sustainability in the supply chain.

Our environmental and social responsibility doesn't stop at the gates to our own factories.

If within its power, Wilkhahn requires and promotes fair and safe working conditions and processes that don't harm the environment. Frequent assessment and on-site visits to top suppliers create trust and sustainability in the supply chain too.

Employees as partners.

Our maxim is fairness and aspects like trust and reliability define Wilkhahn's management culture and the way it involves its own workforce. Active participation by all employees is a driving force in encouraging continual and successful improvements in the environmental sector too. Whether it's a question of avoiding hazards in the workplace, of new manufacturing technologies, or of saving materials and energy – all employees can contribute their ideas for improving Wilkhahn at any time via the company's ideas management process.

Health and safety

Wilkhahn applies a wide range of measures to ensure that workspaces in the Wilkhahn production department are safe and allow as risk-free an approach as possible. This is achieved by:

- Planning safe procedures and workspaces;
- Organizing and defining responsibilities;
- Informing people about the risks the workspace entails and taking measures to avoid these;
- Regularly inspecting working environments to maintain safety and cleanliness in all areas;
- Using the health and safety committee to frequently discuss risk potentials and systematically avoid accidents.

Yonda. Environmental product information.

Wilkhahn



Usage.

Aesthetics and design

Sustainable products must be practical. The timeless aesthetics of Wilkhahn products provide added value, making them options that are set to endure. Office work today requires maximum flexibility in terms of spaces, usage concepts, processes and people. New studies show that aesthetics have a direct impact on health.

Durability and guarantee

Product design to last is our antidote to the throw-away society. Therefore, Wilkhahn products focus on providing maximum utility value, durability and protecting resources. This means top quality that can be experienced, is consistent and perfect. It delivers timeless, distinctive design that is fascinating due to its simplicity, honesty and appeal to all the senses. Pioneering innovations are included that really give our customers constant added value in terms of ergonomics and handling. The fact that our products are extremely practical, easy to disassemble and components are replaceable ensures they are resource-efficient.

Air quality and emissions of harmful substances

Wilkhahn products don't emit any concentrations of gas that are harmful to the environment or health. In the US, Wilkhahn products have GREENGUARD Indoor Air Quality™ certification. GREENGUARD™ is a certification program for products low in emissions.

LEED

Wilkhahn office chairs and table ranges help companies to achieve credit points during LEED certification (U.S. Green Building Council's Leadership in Energy and Environmental Design). The LEED Green Building Rating System is a voluntary standard given to companies that offer a healthy environment, save water and energy and comply with stringent environmental criteria. More LEED information about our products is available on request.

Yonda. Environmental product information.

Wilkhahn



End of the product life cycle.

Product take-back and recycling

Even after the product has reached the end of its life, we still feel responsible and offer our customers extensive take-back and recycling services. We guarantee to take back all products that are no longer in use. Wilkhahn products are dismantled in the factory, all parts are selectively sorted in terms of their inherent materials and then recycled. By labelling the materials, ensuring they're non-toxic and easy to dismantle, we're already making sure today that the components in Wilkhahn products can be incorporated into local material and production cycles and be properly recycled and disposed of. As a result, energy-guzzling (and therefore ecologically unwise transportation) over long distances is avoided.

Disassembly and recycling

All Wilkhahn product components are suitable for non-destructive disassembly. In order to guarantee materials are sorted according to type, all components over 150 g in weight are labeled. No agents to protect materials, or organic halogen compounds are used that prevent recycling at a later date.

Reusable packaging for transport

Customers in over 90 countries choose Wilkhahn office furniture. For years we've only been using as much packaging to transport our products as is required to deliver them in one piece to our customers. Some 60 to 78% of Wilkhahn's cardboard packaging consists of recycled material. And Wilkhahn regularly uses blankets and other returnable packaging.

Yonda. Environmental product information.

Wilkhahn



Materials.

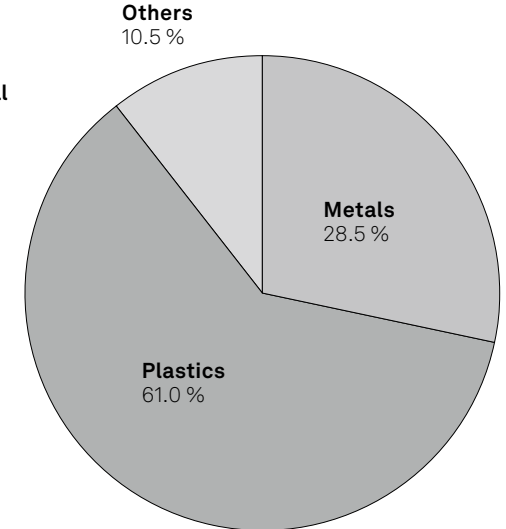
Material composition for Yonda model 320/11

Four-leg frame, with a textured matte finish, coated in cream white, shell in cream white, multipurpose glides, seat cushioning covered in re-wool.

	[kg]	[%]
Metals	1.90	28.5
Steel	1.90	28.5
Aluminum	0.00	0.0
Plastics	4.06	61.0
Polypropylene (PP)	3.40	51.1
Polyamide (PA)	0.12	1.8
Polyurethane (PUR)	0.54	8.1
Others	0.70	10.5
Wood (composite wood, veneer)	0.36	5.4
Cover (wool, leather)	0.34	5.1
Total weight	6.66	100.0
Recycling proportion	2.93	44.0
Recycling capability	6.12	92.0

Not recyclable: Powder varnish

Materials are subject to stringent checks. As part of an ABC analysis, the materials are checked to ensure they are environmentally friendly and not harmful to health. Prohibited chemicals are not used in the product at all. All feedstock is listed in a register of hazardous substances. This helps to minimize the use or allow the substitution of any potentially harmful materials.



Yonda. Environmental product information.

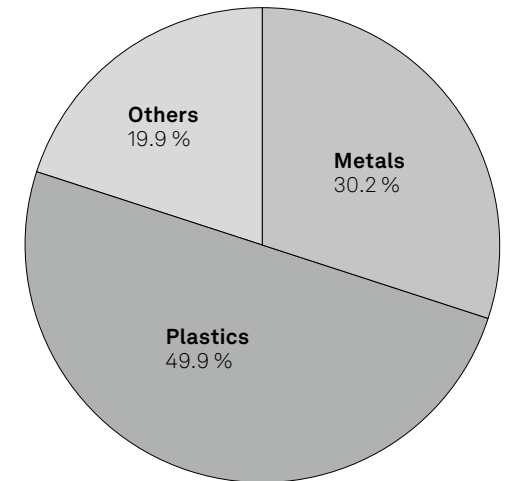
Wilkhahn



Materials.

Material composition for Yonda model 320/20 Four-leg frame, FSC-compliant solid oak, shell in gray-beige, multipurpose glides

	[kg]	[%]
Metals	2.06	30.2
Steel	2.06	30.2
Aluminum	0.00	0.0
Plastics	3.40	49.9
Polypropylene (PP)	3.40	49.8
Polyamide (PA)	0.00	0.1
Polyurethane (PUR)	0.00	0.0
Others	1.36	19.9
Wood (composite wood, veneer)	1.36	19.9
Cover (wool, leather)	0.00	0.0
Total weight	6.83	100.0
Recycling proportion	4.33	63.4
Recycling capability	6.83	100.0



Materials are subject to stringent checks. As part of an ABC analysis, the materials are checked to ensure they are environmentally friendly and not harmful to health. Prohibited chemicals are not used in the product at all. All feedstock is listed in a register of hazardous substances. This helps to minimize the use or allow the substitution of any potentially harmful materials.

Yonda. Environmental product information.

Wilkhahn



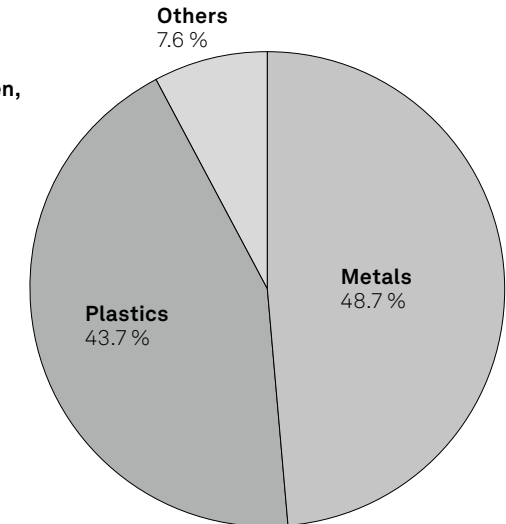
Materials.

Material composition for Yonda model 320/01
Five-star base frame with a textured matte finish coated in emerald green, Shell in emerald green, seat cushioning with re-wool twin-wheel swivel casters with load-dependent braking

	[kg]	[%]
Metals	4.67	48.7
Steel	2.77	28.9
Aluminum	1.90	19.8
Plastics	4.19	43.7
Polypropylene (PP)	3.40	35.5
Polyamide (PA)	0.25	2.6
Polyurethane (PUR)	0.54	5.6
Others	0.70	7.6
Wood (composite wood, veneer)	0.36	4.0
Cover (wool, leather)	0.34	3.6
Total weight	9.57	100.0
Recycling proportion	6.54	68.3
Recycling capability	9.03	94.3

Not recyclable: Powder varnish

Materials are subject to stringent checks. As part of an ABC analysis, the materials are checked to ensure they are environmentally friendly and not harmful to health. Prohibited chemicals are not used in the product at all. All feedstock is listed in a register of hazardous substances. This helps to minimize the use or allow the substitution of any potentially harmful materials.



Yonda. Environmental product information.

Wilkhahn

Certificates product/standards (in the pipeline)



GS mark, Greenguard, ANSI/BIFMA X5.1

Company's certificates, memberships

