

BuzziShade Pendant

The designer BuzziShade lamp provides lit surroundings in which to conduct your conversation away from prying eyes. The lamp's acoustic insulation prevents eavesdroppers from hearing your most private or intimate conversations, and reduces external noise levels - the music and the general hustle and bustle - to a minimum. The BuzziShade is extremely versatile.

It guarantees pleasantly subdued and diffusely lit surroundings. The BuzziFelt is sound absorbent, as well as being ecologically sound! The perfect addition to any office, waiting room or restaurant, the BuzziShade is ideal for large-scale events.

Design by Stal Collectief



more pictures? [click here](#)



BuzziShade Pendant | Content

COMPOSITION

- Frame: powdercoated aluminium | aluminium
- Shade M: BuzziFelt 6mm + lace (1x 180cm | 70.87")
- Shade L: BuzziFelt 6mm + lace (2x 150cm | 59.06")

USE

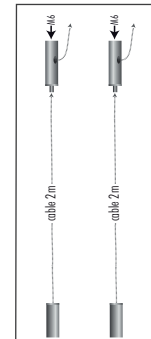
- cable: L 2 m | 5 m - L 78.74" | L 196.85"
Ø 1,5mm / Ø 0.06"
- Incl. 2 x fastener and 2x fixation M6
- screws ceiling: not included

EU:

- ceiling canopies: included
- electricity cable: L 3 m | 6 m - L 118.11" | L 236.22"
- light: E27 fitting (bulb not included)
Max 60 W

USA:

- no electrical components incl.



OPTIONS

• 2 sizes: MEDIUM & LARGE

• white frame RAL 9010:

- BuzziFelt
BuzziFelt + layer of BuzziFabric (inside or outside)
BuzziFelt + layer of BuzziTerra (inside or outside)
- lace black | white | fluorescent
- red electricity cable
- white fitting
- white ceiling canopy

! electricity cable, fitting and ceiling canopy not incl. for USA !

• black frame RAL 9005:

- BuzziFelt
BuzziFelt + layer of BuzziFabric (inside or outside)
BuzziFelt + layer of BuzziTerra (inside or outside)
- lace black | white | fluorescent
- black electricity cable
- black fitting
- black ceiling canopy

! electricity cable, fitting and ceiling canopy not incl. for USA !

• fluorescent orange frame RAL 2005:

- BuzziFelt
BuzziFelt + layer of BuzziFabric (inside or outside)
BuzziFelt + layer of BuzziTerra (inside or outside)
- lace black | white | fluorescent
- fluorescent orange electricity cable
- black fitting
- black ceiling canopy

! electricity cable, fitting and ceiling canopy not incl. for USA !

• aluminium frame, not powdercoated:

- BuzziFelt
BuzziFelt + layer of BuzziFabric (inside or outside)
BuzziFelt + layer of BuzziTerra (inside or outside)
- lace black | white | fluorescent
- black electricity cable
- black fitting
- black ceiling canopy

! electricity cable, fitting and ceiling canopy not incl. for USA !

BuzziShade Pendant | Ratings

- Flammability: BuzziFelt: EN 13501-1 + A1: 2009
ASTM E84 Class B certified
BS476 Part 6 and 7 Class 0
- CE certificated
- Flammability: BuzziFabric: EN 1021.1/2006 | BS EN 1021.1/2006 (cigarette)
EN 1021.2/2006 | BS EN 1021.2/2006 (match)
CAL TB 117
- BuzziTerra: CRIB 5
CAL 117 PASS

Questions? Don't hesitate to contact your local agent or distributor



BuzziShade Pendant | Dimensions & Weight | Medium

MEDIUM

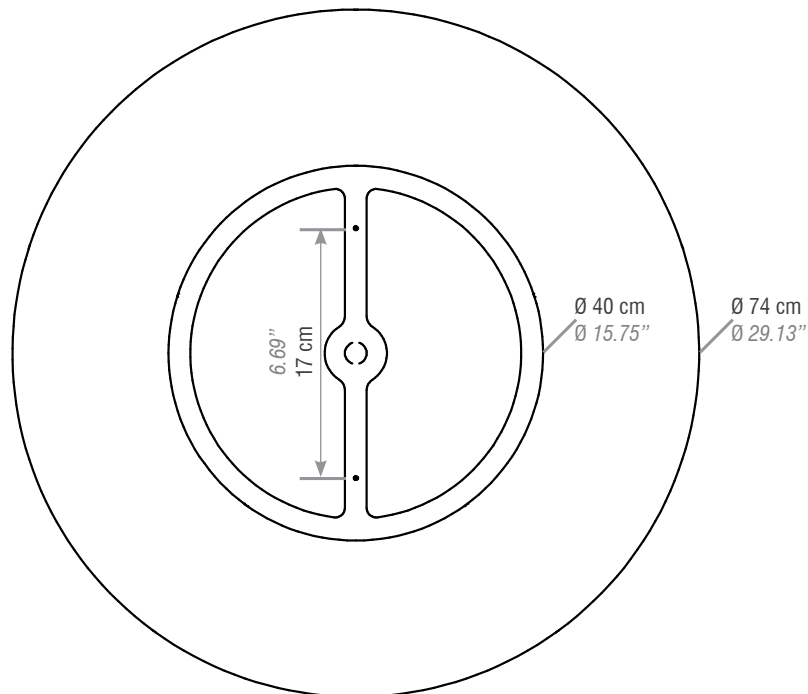
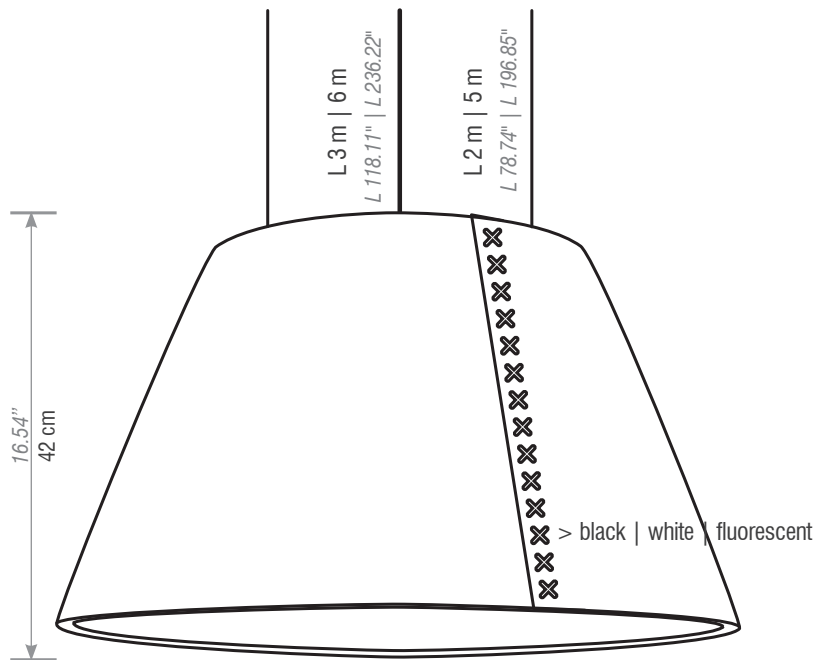
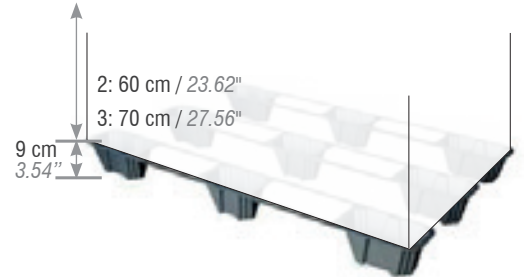
Size: Weight

H 42 cm, Ø 40 cm - Ø 74 cm 4 kg
 H 16.54", Ø 15.75" - Ø 29.13" 8.82 lbs

Incl. Packaging:

1 BuzziShade	79 x 79 x 50 cm 31.10 x 31.10 x 19.69"	8,5 kg 18.74 lbs
2 BuzziShades + pallet	79 x 79 x 69 cm 31.10 x 31.10 x 27.17"	13,8 kg 30.42 lbs
3 BuzziShades + pallet	79 x 79 x 79 cm 31.10 x 31.10 x 31.10"	18 kg 39.68 lbs

Pallet:



BuzziShade Pendant | Dimensions & Weight | Large

LARGE

Size:

Weight:

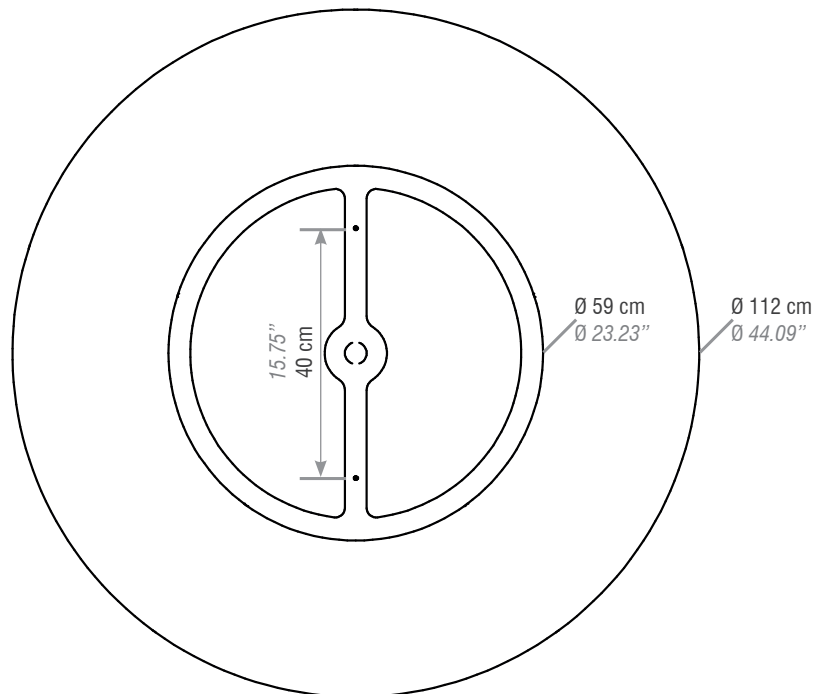
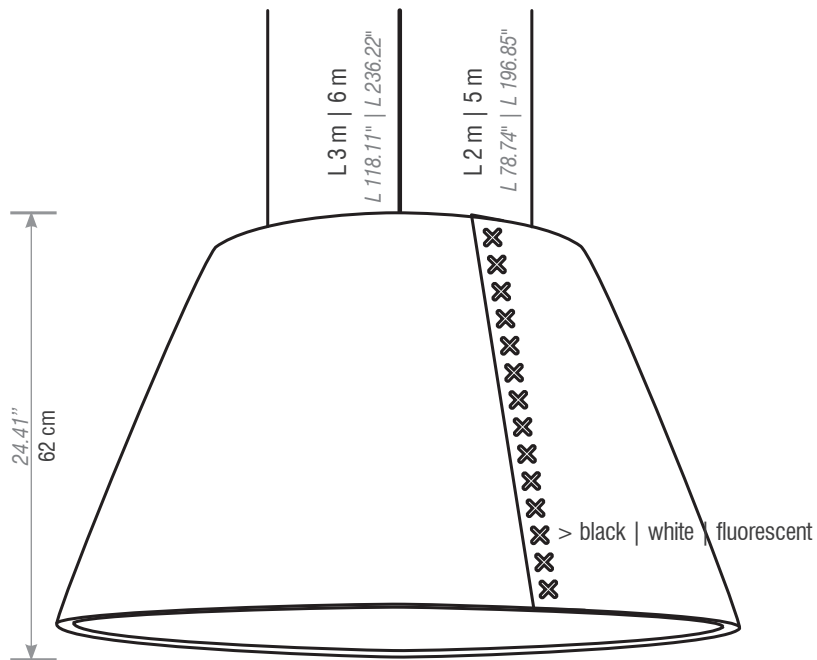
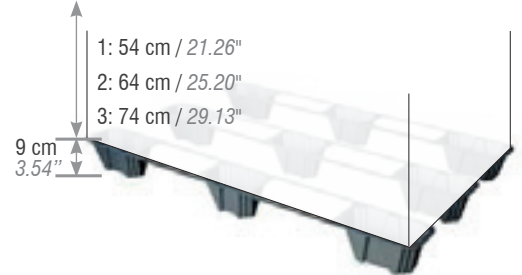
H 62 cm, Ø 59 cm - Ø 112 cm
 H 24.41", Ø 23.23" - Ø 44.09"

8 kg
 17.64 lbs

Incl. Packaging + Pallet:

1 BuzziShade	118 x 118 x 63 cm 46.46 x 46.46 x 24.80"	19 kg 41.89 lbs
2 BuzziShades	118 x 118 x 73 cm 46.46 x 46.46 x 28.74"	29 kg 63.93 lbs
3 BuzziShades	118 x 118 x 83 cm 46.46 x 46.46 x 32.68"	37 kg 81.57 lbs

Pallet:



BuzziShade Standing

The designer BuzziShade lamp provides lit surroundings in which to conduct your conversation away from prying eyes. The lamp's acoustic insulation prevents eavesdroppers from hearing your most private or intimate conversations, and reduces external noise levels - the music and the general hustle and bustle - to a minimum. The BuzziShade is extremely versatile.

It guarantees pleasantly subdued and diffusely lit surroundings. The BuzziFelt is sound absorbent, as well as being ecologically sound! The perfect addition to any office, waiting room or restaurant, the BuzziShade is ideal for large-scale events.

Design by Stal Collectief



red electricity cable



white lace

more pictures? [click here](#)



BuzziShade Standing | Content

COMPOSITION

- Frame: powdercoated aluminium
- Foot + vertical tube powdercoated steel
- Shade: BuzziFelt 6mm + lace (2x 280cm | 110.24")

USE

- electricity cable: incl. BE plug or US plug or UK plug
L 300cm | 118.11"
with floorswitch
- light: E27 fitting (bulb not included)
Max 60W

OPTIONS

- **white frame RAL 9010:**
 - BuzziFelt with lace (black | white | fluorescent)
 - red electricity cable
 - white fitting
 - white floorswitch
- **fluorescent orange frame RAL 2005:**
 - BuzziFelt with lace (black | white | fluorescent)
 - fluorescent orange electricity cable
 - black fitting
 - black floorswitch
- **black frame RAL 9005:**
 - BuzziFelt with lace (black | white | fluorescent)
 - black electricity cable
 - black fitting
 - black floorswitch

BuzziShade Standing | Ratings

- Flammability: BuzziFelt: EN 13501-1 + A1: 2009
ASTM E84 Class B certified
BS476 Part 6 and 7 Class 0
- CE certificated

BuzziShade Standing | Useful Links

- [CLICK HERE](#) Price List
- [CLICK HERE](#) Warranty
- [CLICK HERE](#) Install. instructions
- [CLICK HERE](#) 2D DWG
- [CLICK HERE](#) 3D Sketchup
- [CLICK HERE](#) Movie

Questions? Don't hesitate to contact your local agent or distributor



BuzziShade Standing | Dimensions & Weight

	Size:	Weight:
Shade	115 x 157 x 222 cm 45.28 x 61.81 x 87.40"	18 kg 39.68"

