

Wilkhahn

Logon. 620 range.



Meinema | De Meubelmakelaar | 0031-20 311 8396



Logon.

Logon is an excellent choice for companies that equally value a sense of openness, lightness and dynamism, as well as premium quality and enduring style. Logon represents high quality, perfectly crafted design – whether as a single table or table system.

The especially lightweight look of the Logon tables is the result of a sophisticated design principle, borrowed from aircraft construction. The foot section and table top bearers are firmly braced with one another with threaded rods in the uprights. As a result, minimum material thicknesses achieve particularly high levels of strength.

Whether round or with corners, long or short – there is virtually no limit to the shapes Logon can produce. The modular structure of the table frames enable depths of 75 – 130 cm (29 1/2" – 51 1/8") and widths of up to 300 cm (118 1/8") per table segment. 45° and 90° angles are standard elements, intermediate sizes can be produced to order by Wilkhahn. The table tops, with their characteristic impact-resilient profile integrated into the lipping, are available in laminated or veneered versions. Versatile room usage is achieved, particularly when combined with Confair and Timetable ranges of matching, portable, collapsible or swivel tables.

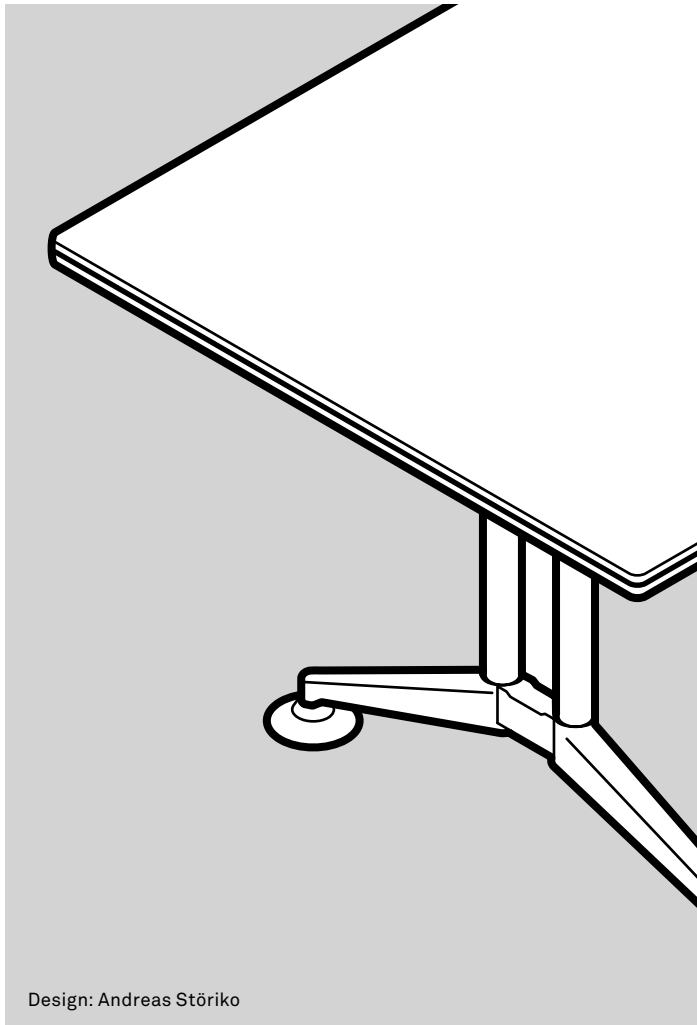






Logon. 620 range. Technical details.

Wilkhahn



Design: Andreas Störiko

Function

Standalone tables for offices and systems components for permanently linked table configurations in conference rooms, ideal in combination with Confair folding tables in conference spaces that can be partitioned in different ways.

Frame

Die-cast aluminium foot section, bright chrome-plated, polished or coated or coated based on the Wilkhahn woodstain colour samples. Aluminium profile upright, clear anodised or coated, coated in black where foot sections are bright chrome-plated.

Die-cast aluminium profile core, depending on the foot section with a silver satin finish or coated black. Uprights optionally available as bright chrome-plated versions. Aluminium profile underframe, depending on the foot section with a silver satin finish or coated black. Table depths 75-90 cm with a centre underframe, table depths 100-130 cm with two underframes. Polyamide glides in black. Lockable black polyamide castors.

Model 621/35: Steel profile underframes, depending on the base with a silver satin finish or coated black. Polyamide glides in black.

Core material of table top

Plywood with bullnose or straight wood lipping all the way round with integrated, impact-resilient profile in black elastomer or straight plastic lipping all the way round. In the case of system elements: straight joining edge without a profile.

Table top group 1 – laminate

Table top thickness 26 mm

Variant 1

Laminate (single colour) based on Wilkhahn's colour and surface samples with wood lipping, natural oiled finish. Wood decor laminate on request.

Variant 2

Soft matt laminate from the Wilkhahn colour and surface samples with wood lipping in natural oiled finish or colour matched with the plastic lipping. Anti-reflective, soft-touch surface with anti-fingerprint characteristics.

Table top group 2 – veneer

Table top thickness 26 mm

Variant 1

Beech, oak or ash veneer (exception: no ash with a natural finish on chamfered lipping) based on the from Wilkhahn woodstain colour samples with wood lipping, colour-matched as far as possible with the veneer.

Variant 2

Maple (exception: no maple with a natural finish in the case of chamfered lipping), walnut or elm veneer from the Wilkhahn woodstain colour samples with wood lipping colour-matched as far as possible with the veneer.

Veneer types

As a standard, the veneer panels are slip-matched. Surfaces sealed with clear lacquer: open-pore: oak, ash, walnut and elm veneer closed-pore: maple and beech veneer. Some specific growth features possible.

Modesty panels

Ribbed aluminium extruded profile clear anodised or coated black. Clear anodised screws connected to the table top. Modesty panels can also be retrofitted.

Standards

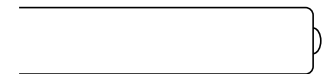
The Logon tables comply with the ANSI/BIFMA X 5.5 standard.

When placing repeat orders, please indicate whether your table tops have slip-matched or book-matched veneer.

Edge profiles



Standard version: Bullnose double with integral, impact-resilient profile



Alternatively: Straight with integral, impact-resilient profile



Straight plastic lipping

Subject to change.

Logon. 620 range. Product types.

Wilkhahn



Veneered table tops, laminate (not pictured) and soft matt laminate (not pictured) each available as specified on Wilkhahn's material sample card. Bright chrome-plated foot section (not pictured), polished or coated aluminium (not pictured). Uprights and underframes in black or a silver coated satin finish (not pictured), clear anodised, optionally bright chrome-plated (not pictured).

Logon. 620 range. Table top types.

Wilkhahn

Table top groups

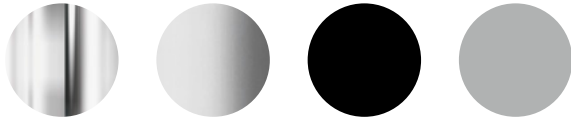


Laminate, veneer type 1 or 2, soft matt laminate, you can find further surfaces in our media center.

Laminate. The material is made by bonding cellulose and décor paper layers, as well as resin, by applying heat and pressure. This produces an extremely tough surface that comes in a variety of different colours. Laminate is highly recommended for areas where the tables are subject to a lot of wear and tear because they are frequently moved around for example.

Wood veneers. Natural wood is a living material: in the way it looks and changes over the years. Sometimes more significantly and sometimes more subtly, depending on the type of wood and how light it is. If a more consistent look is preferred, stained surfaces or industrially produced veneer are available.

Uprights



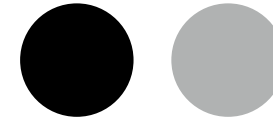
Bright chrome-plated aluminium, clear anodised or coated in black or with a silver satin finish

Foot sections



Bright chrome-plated, polished aluminium or coated based on Wilkhahn samples

Table top bearers, underframes



Aluminium coated black or in a silver satin finish

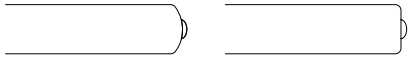
You can find our current fabric collection in our media center.

The digital sample colours differ from the originals.

Logon. 620 range. Edge shapes.

Wilkhahn

Edge profiles



Standard type: bullnose with integrated impact-resilient profile

Alternatively: straight with integrated impact-resilient profile

Bullnose edge with a black impact-resilient profile, table top 26 mm thick



Bullnose edge with a white impact-resilient profile, table top 26 mm thick



Straight edge with a black impact-resilient profile, table top 26 mm thick



Straight edge with a white impact-resilient profile, table top 26 mm thick



Logon. 620 range. Accessories and other items.

Wilkhahn



The Logon modesty panel made of ribbed aluminium extruded profile provides privacy and hides cables.

620/2 Vertical cable channel
for channelling cables between uprights
Coated black or silver satin finish



707/1 Cable outlet
Black plastic, Ø 80 mm



707/2 Cable outlet
Aluminium coated black, Ø 85 mm



707/2 Cable outlet
Aluminium clear anodised, Ø 85 mm



Logon. 620 range. Accessories and other items.

Wilkhahn



Integrated techni-station Basic



Integrated techni-station Basic



Single table portal Executive



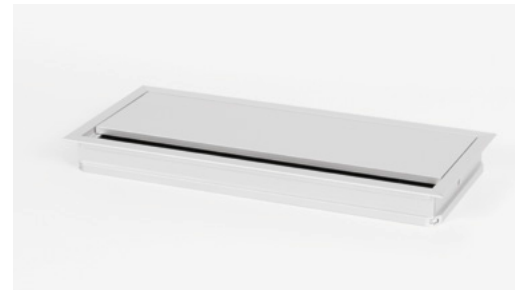
Single table portal Executive



Integrated techni-station Rotate



Integrated techni-station Rotate



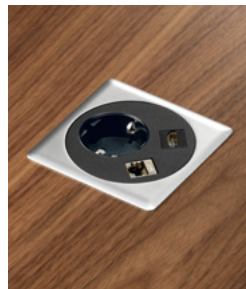
Single table portal Basic



Single table portal Basic



Integrated techni-station Move



Integrated techni-station Compact



Cable outlets



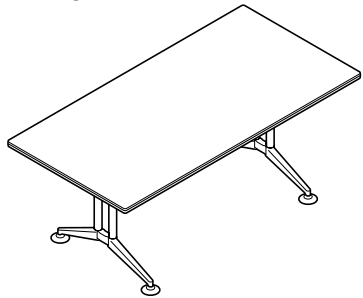
Socket strips

Please see the price list regarding integration of the techni-stations based on table models.

Logon. 620 range. Models and dimensions.

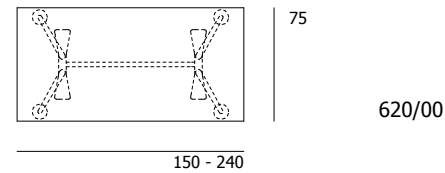
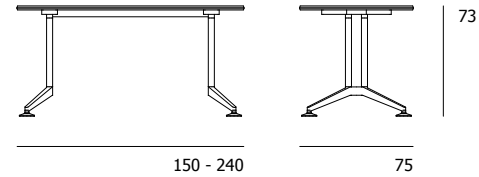
Wilkhahn

620/00
Table
Rectangular

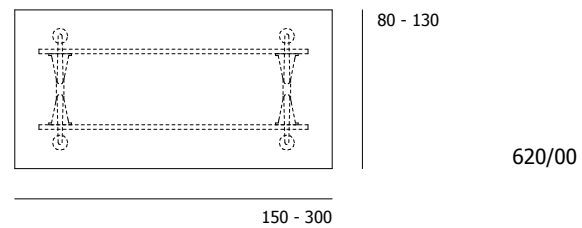
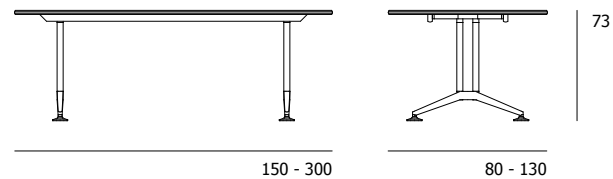


	Depth						
Width	75	80	90	100	110	120	130
150	•	•	•	•	•	•	•
160	•	•	•	•	•	•	•
180	•	•	•	•	•	•	•
200	•	•	•	•	•	•	•
220	•	•	•	•	•	•	•
230	•	•	•	•	•	•	•
240	•	•	•	•	•	•	•
300	–	–	–	•	•	•	•

- Available
- Not available



620/00

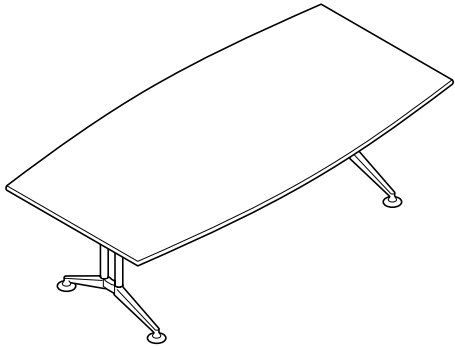


620/00

Logon. 620 range. Models and dimensions.

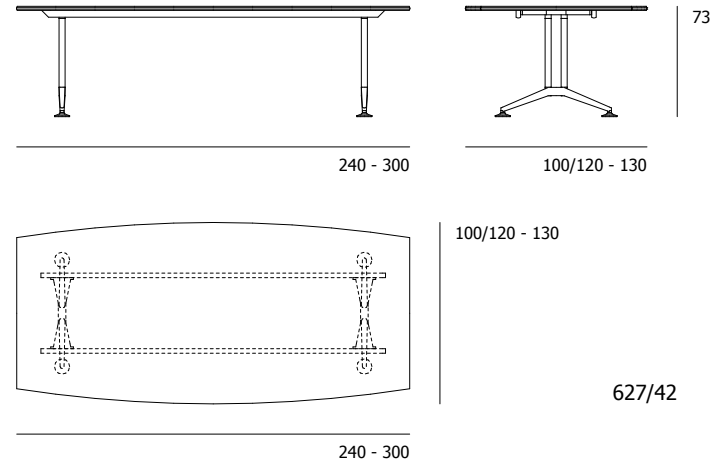
Wilkhahn

627/42
Table
Barrel shape



	Depth	
Width	100/120	100/130
240	•	–
260	•	–
300	–	•

- Available
- Not available



627/42

Logon. 620 range. Models and dimensions.

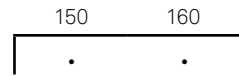
Wilkhahn

621/35

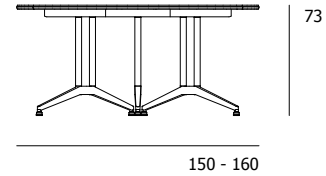
Table
Round



Diameter

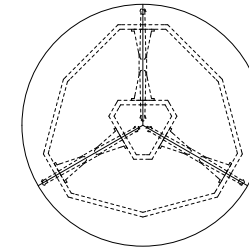


• Available



73

150 - 160



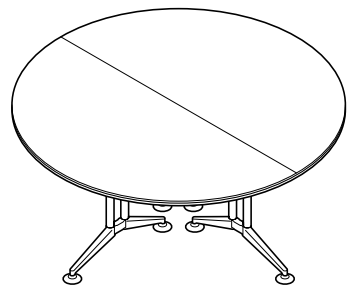
150 - 160

150 - 160

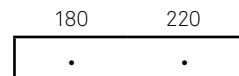
621/35

622/45

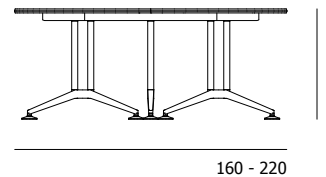
Table
Round



Diameter

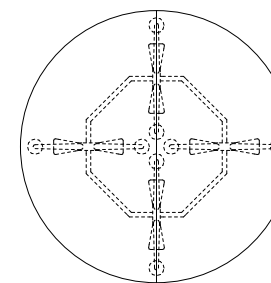


• Available



73

160 - 220



180 - 220

180 - 220

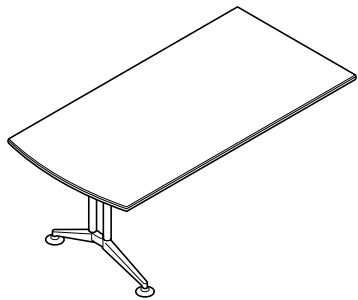
622/45

Logon. 620 range. Models and dimensions.

Wilkhahn

620/11

Table configuration
Starting element
Rounded short edge

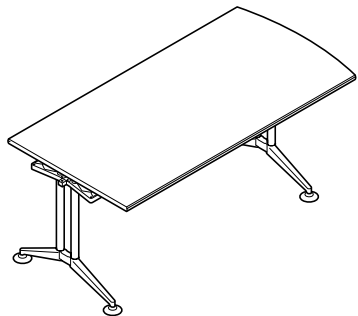


Depth	Width					
	80	90	100	110	120	130
160	•	•	•	•	•	•
180	•	•	•	•	•	•
200	•	•	•	•	•	•
220	•	•	•	•	•	•
230	•	•	•	•	•	•
240	•	•	•	•	•	•

• Available

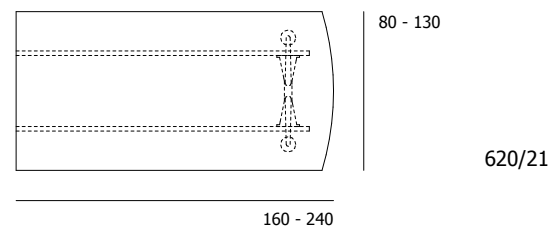
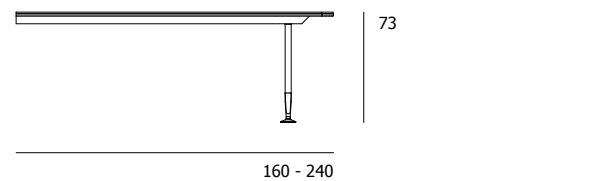
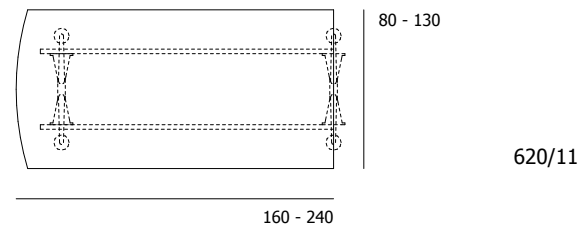
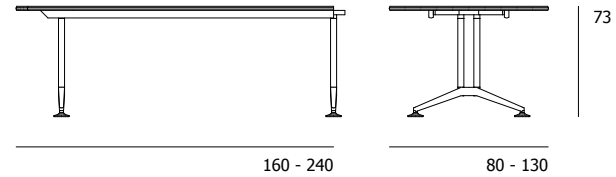
620/21

Table configuration
Finishing element
Rounded short edge



Depth	Width					
	80	90	100	110	120	130
160	•	•	•	•	•	•
180	•	•	•	•	•	•
200	•	•	•	•	•	•
220	•	•	•	•	•	•
230	•	•	•	•	•	•
240	•	•	•	•	•	•

• Available

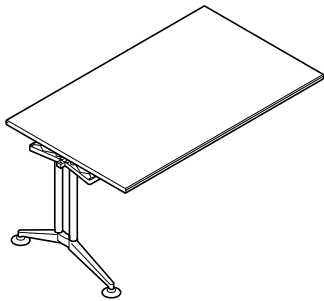


Logon. 620 range. Models and dimensions.

Wilkhahn

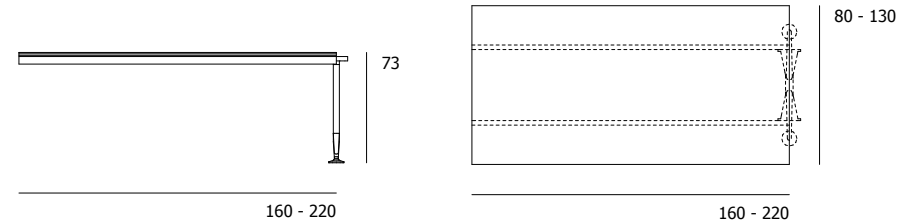
620/31

Table configuration
Intermediate element
Rectangular



Width	Depth					
	80	90	100	110	120	130
160
180
200
220

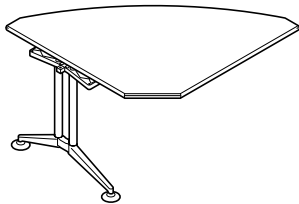
- Available



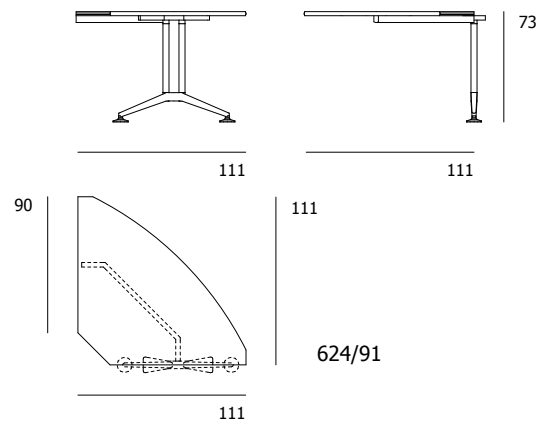
620/31

624/91

Table configuration
Corner element 90°



90 x 10 x R 227 x 10 x 90 x 30, H 73



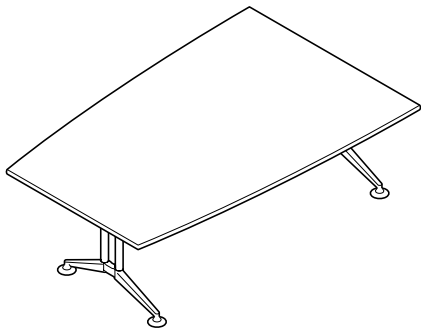
624/91

Logon. 620 range. Models and dimensions.

Wilkhahn

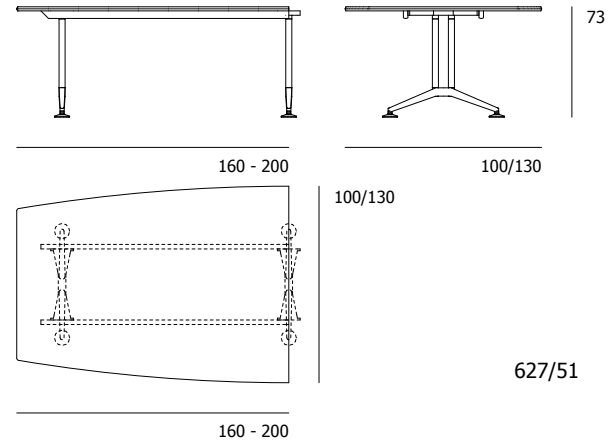
627/51

Table configuration
Starting element
Semi-barrel shape



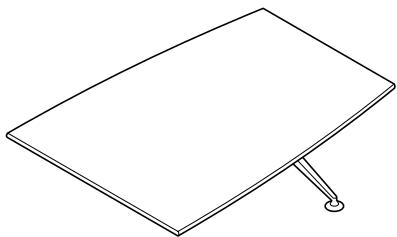
Depth	
Width	100/130
160	.
180	.
200	.

- Available



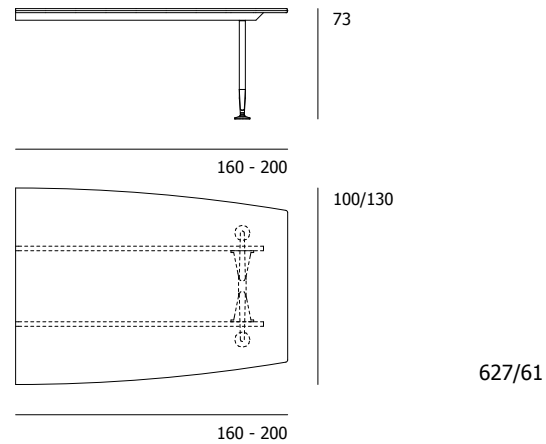
627/61

Table configuration
Finishing element
Semi-barrel shape



Depth	
Width	100/130
160	.
180	.
200	.

- Available

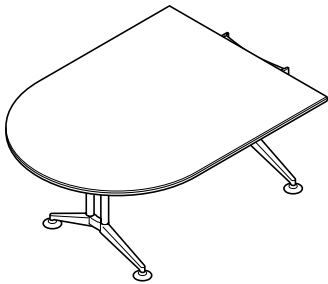


Logon. 620 range. Models and dimensions.

Wilkhahn

628/51

Table configuration
Starting element
Semi-oval

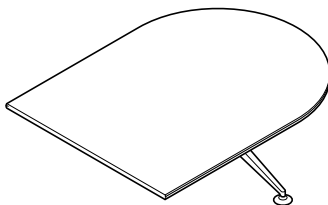


Depth	
Width	120
160	.
180	.
200	.

- Available

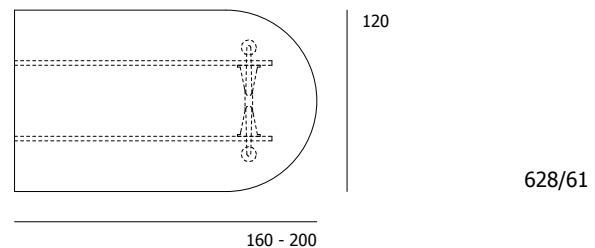
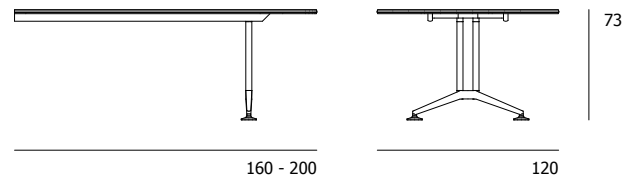
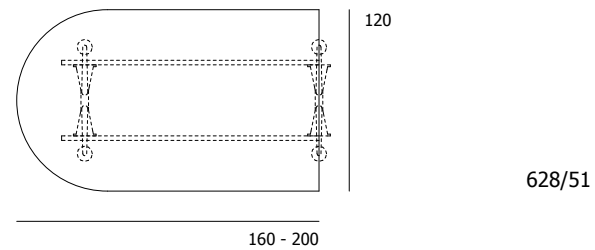
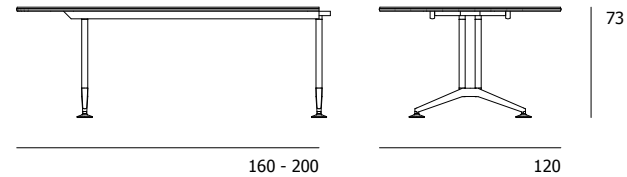
628/61

Table configuration
Finishing element
Semi-oval



Depth	
Width	120
160	.
180	.
200	.

- Available

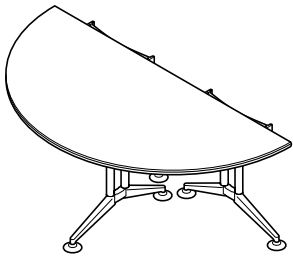


Logon. 620 range. Models and dimensions.

Wilkhahn

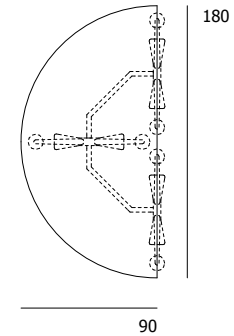
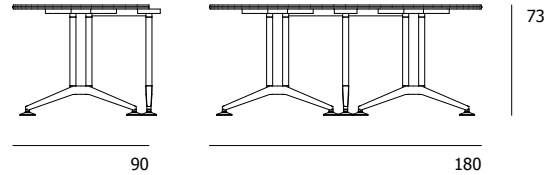
622/11

Table configuration
Starting element
Semi-circle



Depth	90
Width	180
	.

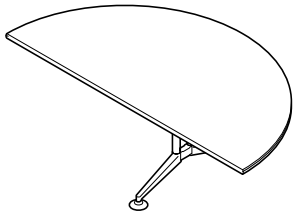
• Available



622/11

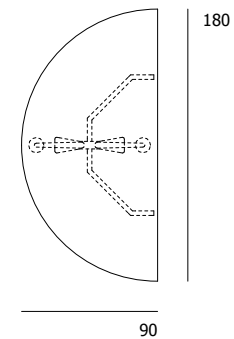
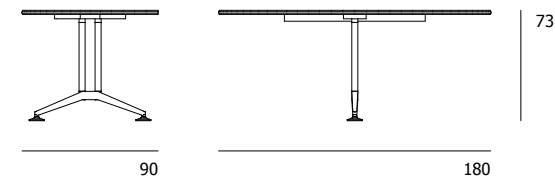
622/21

Table configuration
Finishing element
Semi-circle



Depth	90
Width	180
	.

• Available



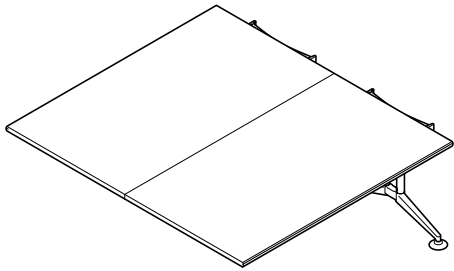
622/21

Logon. 620 range. Models and dimensions.

Wilkhahn

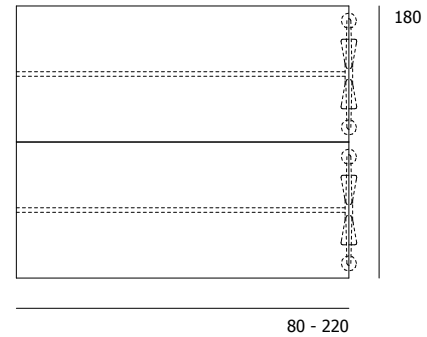
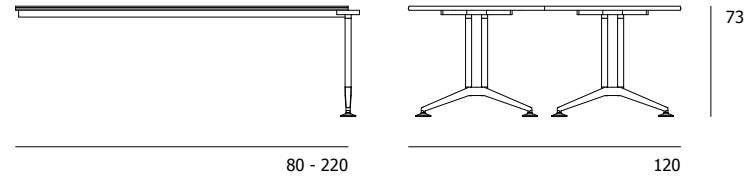
622/31

Table configuration
Intermediate element
Rectangular



	Depth
Width	180
80	.
160	.
220	.

- Available

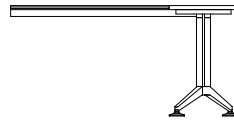
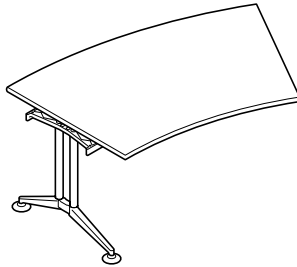


622/31

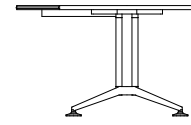
Logon. 620 range. Models and dimensions.

Wilkhahn

620/41
Table configurations
Arc-shaped module 30°
155 x 90

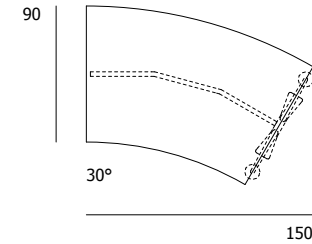


150



118

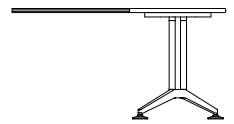
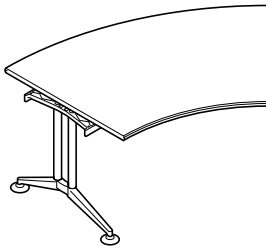
73



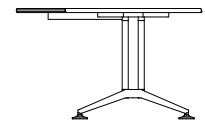
118

620/41

620/41
Table configurations
Arc-shaped module 45°
155 x 90

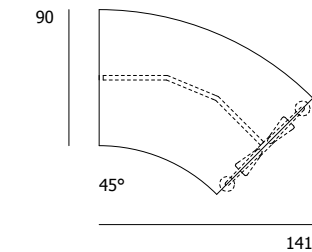


141



122

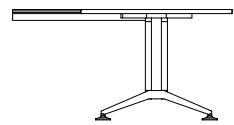
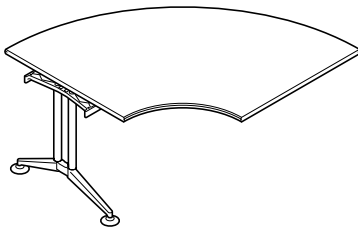
73



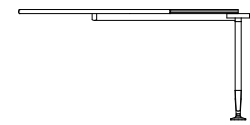
122

620/41

620/41
Table configurations
Arc-shaped module 90°
191 x 90

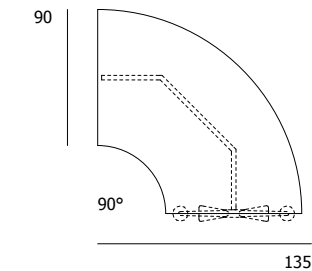


135



135

73



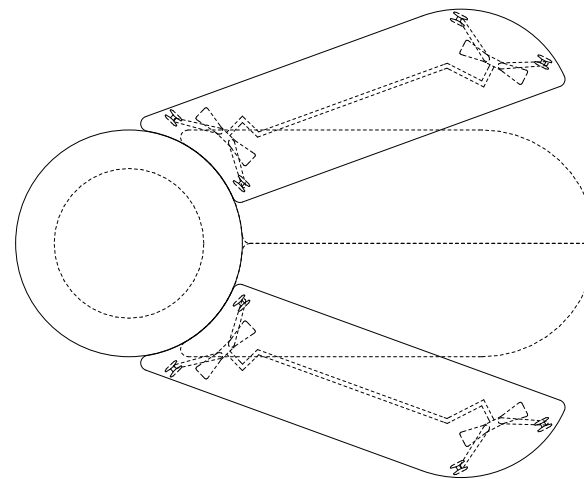
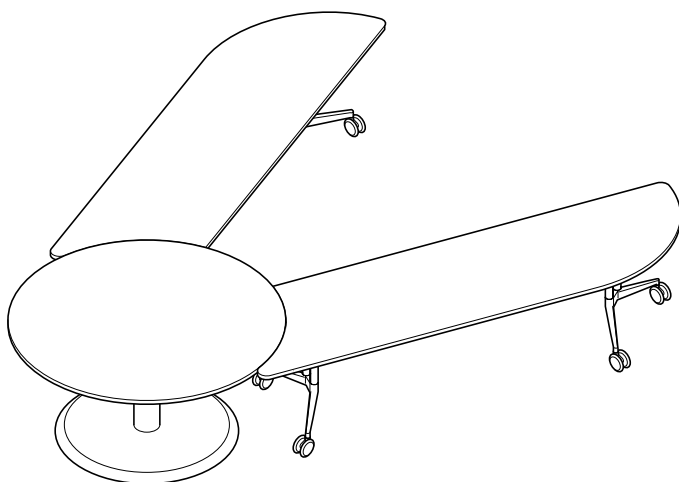
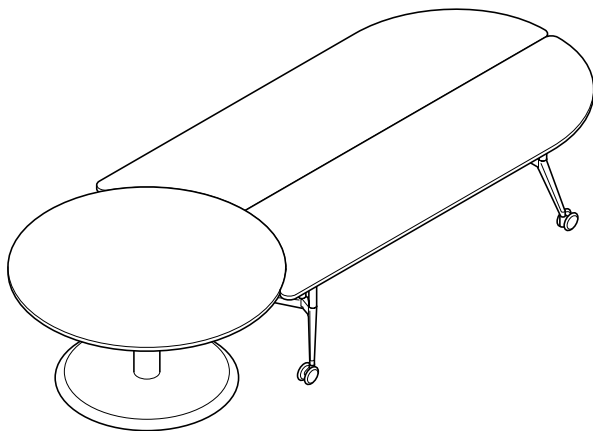
135

620/41

Logon. 620 range. Models and dimensions.

Wilkhahn

622/00
V-shaped configuration for video conference
310 x 364



150/363

622/00

384/310

Logon. 620 range. Models and dimensions / example configurations.

Wilkhahn

36 people

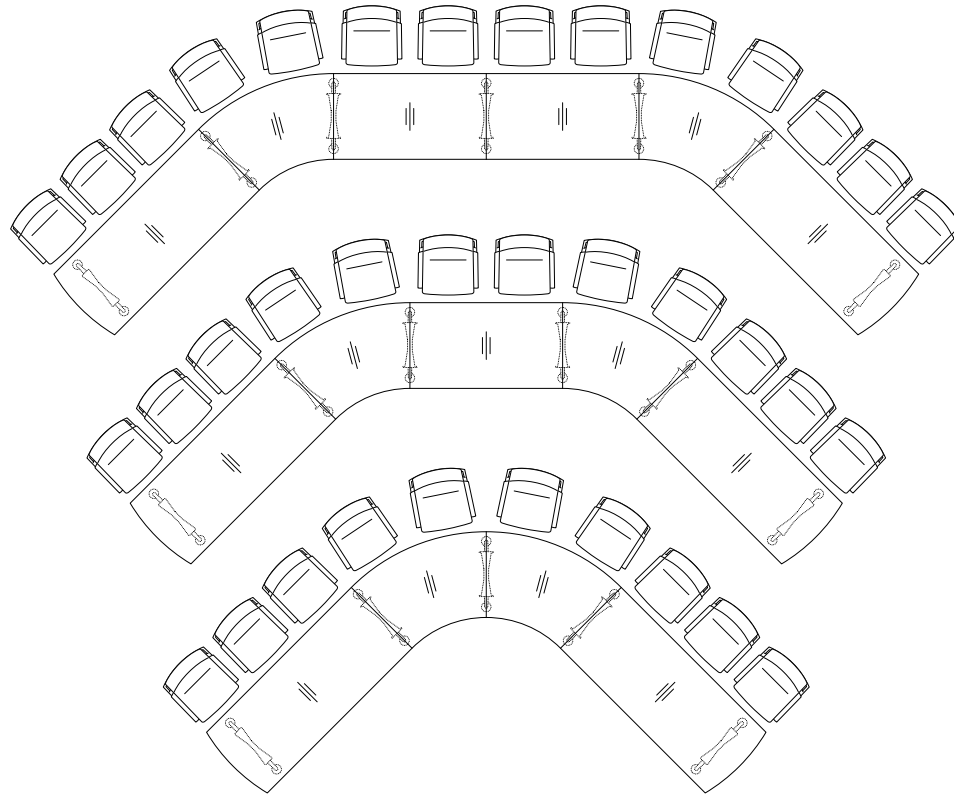
3 x 620/11, 240x90

3 x 620/21, 240x90

3 x 620/31, 160x90

6 x 620/11, 153x90, 45°

772



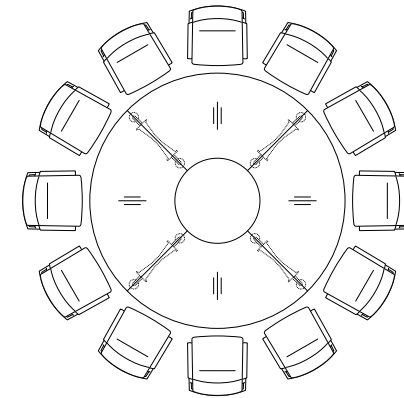
900

740

580

12 people

4 x 620/41, 191x90, 90°



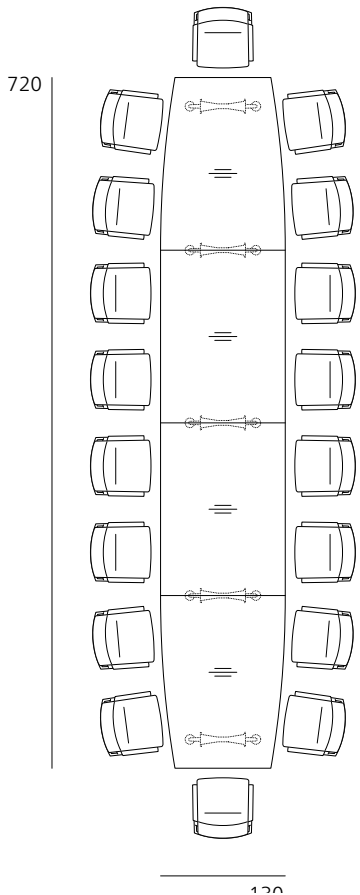
270

Logon. 620 range. Models and dimensions / example configurations.

Wilkhahn

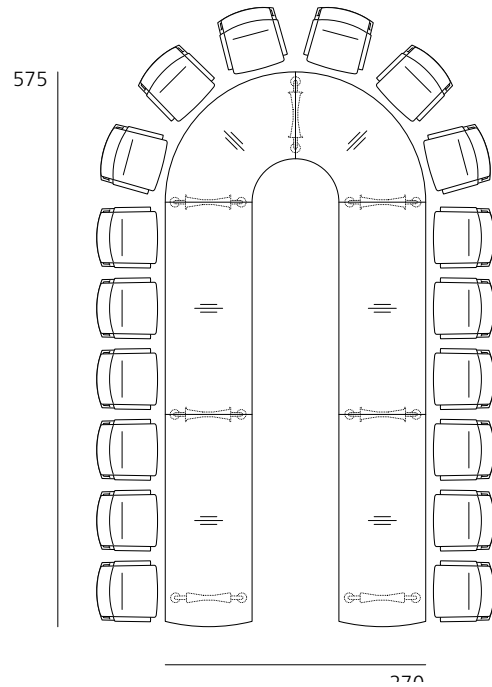
18 people

1 x 627/51, 100/130x180
 1 x 627/61, 100/130x180
 2 x 620/31, 130x180



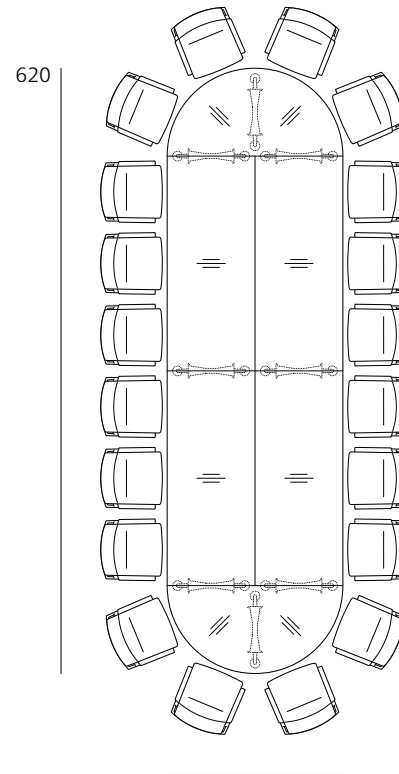
18 people

1 x 620/11, 220x90
 1 x 620/21, 220x90
 2 x 620/31, 220x90
 4 x 620/41, 191x90, 90°



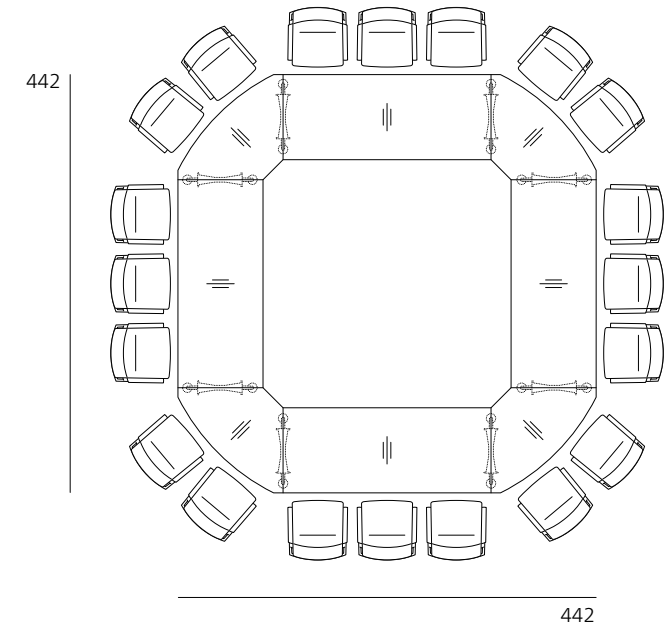
20 people

1 x 622/11, 180x90
 1 x 622/21, 180x90
 2 x 622/31, 220x180



20 people

4 x 620/31, 220x90
 4 x 624/91, 90x10xR227x10x90x30, 90°



Logon. 620 range. Awards / standards / certificates.

Wilkhahn

Product certificates / product standards



ANSI/BIFMA X 5.5

Company's certificates, memberships



Environment and product

A material-efficient, timeless and recyclable table

Logon's sophisticated frame design isn't just attractive, but also means fewer materials are required for its manufacture. The slender cross-sections also reduce the weight and the energy consumed to transport the product. Designed as a directly linkable table system, just one foot section is required to connect table sections. The timeless design, top-quality materials, perfect craftsmanship and screw-fitted structure, plus the ease with which all the components can be repaired and dismantled, guarantee the table will last and be used for a long period of time.

- Frames comprise aluminium that combines high dimensional stability with perfect surface finish and durability. At the end of a product life cycle, aluminium is 100% recyclable without any quality loss and with low energy consumption. The tension rods in the uprights are in steel, 20% of which consists of recycled material and is, in turn, also 100% recyclable. The height-adjustable glides are in high-performance plastic that is designed with a view to maximum service life.
- The system table top in high-quality, E1 grade particle board with solid wood lipping is also 100% recyclable. Natural materials such as laminates and real wood veneers are used to finish table tops. Veneered tops are protected with low-solvent, water-based lacquer. The integral, impactresilient profile in polypropylene protects edges and helps prevent damage.
- All frame elements and table tops are screw-fitted; this means that table tops can, for example, be disassembled and refurbished or renewed in the case of signs of wear and tear.

The Logon table system, launched in 1996, doesn't just comply with Wilkhahn's guidelines for ecologically responsible product design, the design- and material-concept as well as the sizes of the table systems coordinate precisely with the sizes of the mobile Confair folding table. If a conference room can be partitioned in various ways, combining the two ranges allows enhanced use of the space available, paying dividends in both financial and environmental terms and helping to improve an office building's ecological footprint.